



Streamfeeder®

Modell **ST-550**
Modell **ST-850**

Specialty Packaging Series Feeder

Serie: *Streamfeeder* – Modell **ST-550**

Serie: *Streamfeeder* – Modell **ST-850**



ST 550

Geschwindigkeit: 140 m/Minute
Größe des Beilagenmaterials:
Min.: 54 mm x 64 mm
Max.: **127** mm x 254 mm
Dicke des Beilagenmaterials:
Min.: 0,76 mm
Max.: 25,4 mm
Batch Size : 1 bis 9999 Blatt
Gewicht: 31 - 36 kg
Anschluss: 230vac, 50/60Hz, 3A

ST 850

Geschwindigkeit: 140 m/Minute
Größe des Beilagenmaterials:
Min.: 54 mm x 64 mm
Max.: **203** mm x 254 mm
Dicke des Beilagenmaterials:
Min.: 0,76 mm
Max.: 25,4 mm
Batch Size : 1 bis 9999 Blatt
Gewicht: 31 - 36 kg
Anschluss: 230vac, 50/60Hz, 3A

Siehe auch:

http://streamfeeder.com/saleslit/ST550_850.pdf



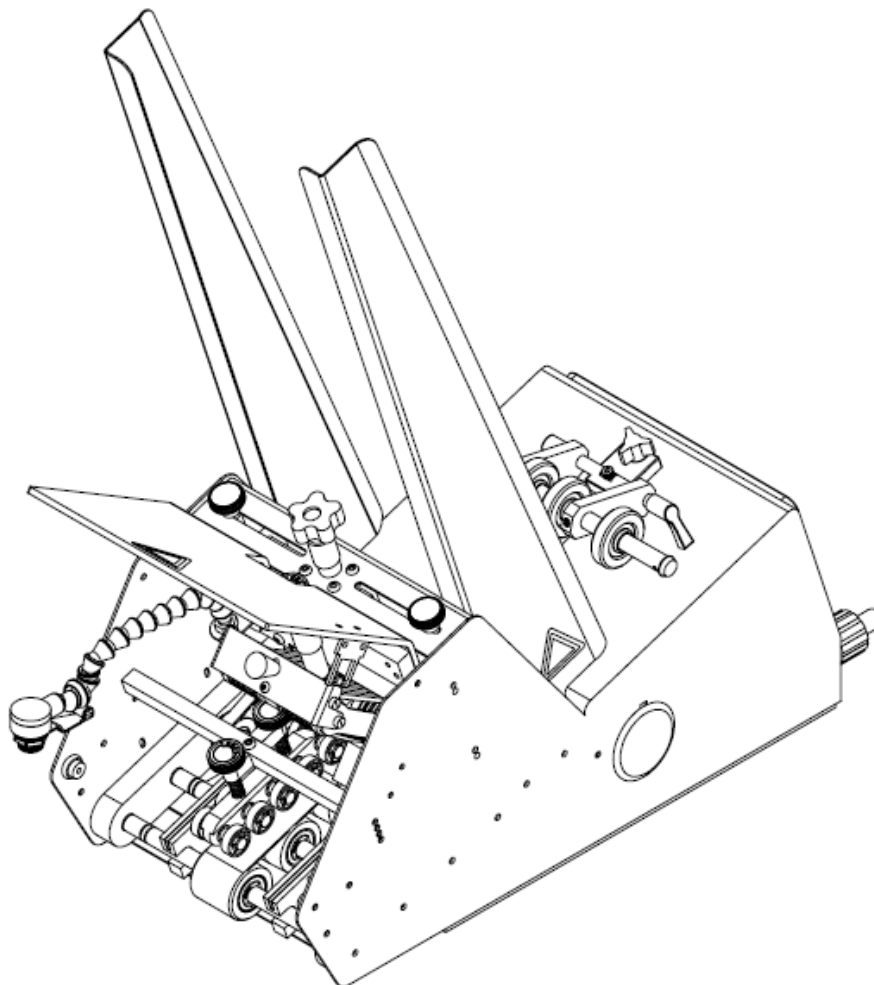
The ST-550 and ST-850 feeders were designed for compact footprints. They will fit into tight areas where the larger ST-1250 model will not. The feature-rich iQuipped Intelligent System Controller provides high performance operation with user-friendly menus. The ST-550 and ST-850 are ideal for use in many applications and easily integrate mechanically and electrically for increased system efficiency. Feed a wide variety of flat and multi-thickness products into shrink wrappers, poly baggers, banders, collators, case packers, boxes, and more. Operates on-demand one at a time or in batch sets up to 9999 pieces.

Applications *(ask us about your application)*

Shrink Wrappers Flow Wrappers Inserter Open Track
Poly-baggers Cartoners Collators
Case Packers Order Fulfillment

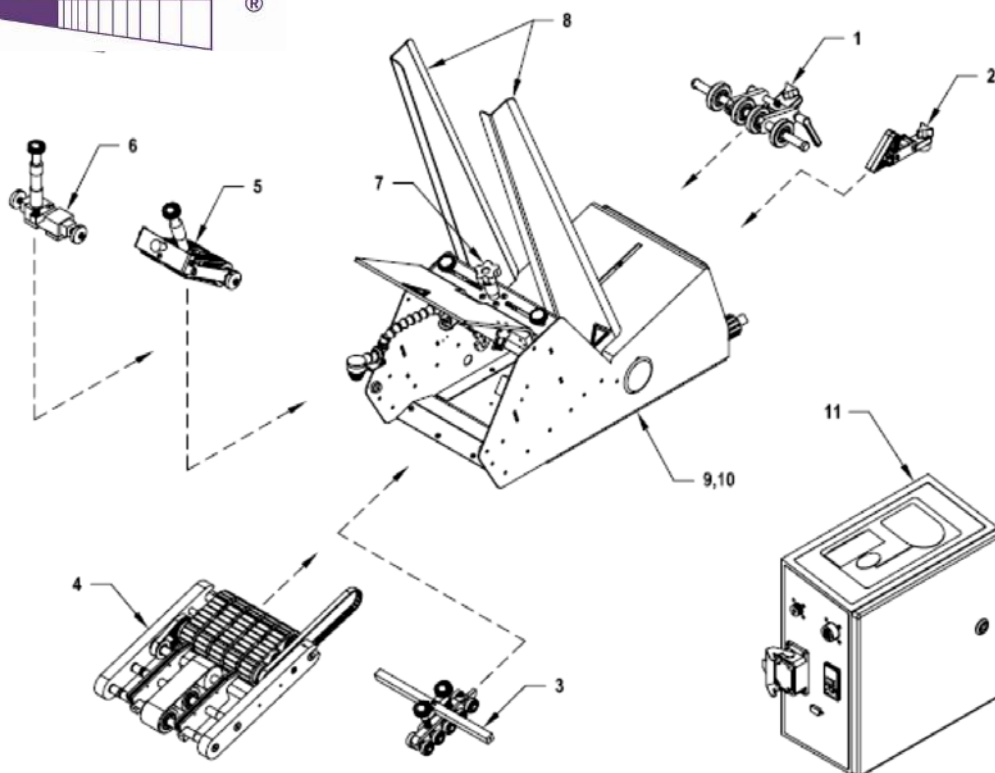
Products *(ask us about your products)*

Sheet Paper Backer Board Folded Documents
Manuals Literature Kits Folders
Cardstock Envelopes Booklets
Brochures Collapsed Cartons and more...

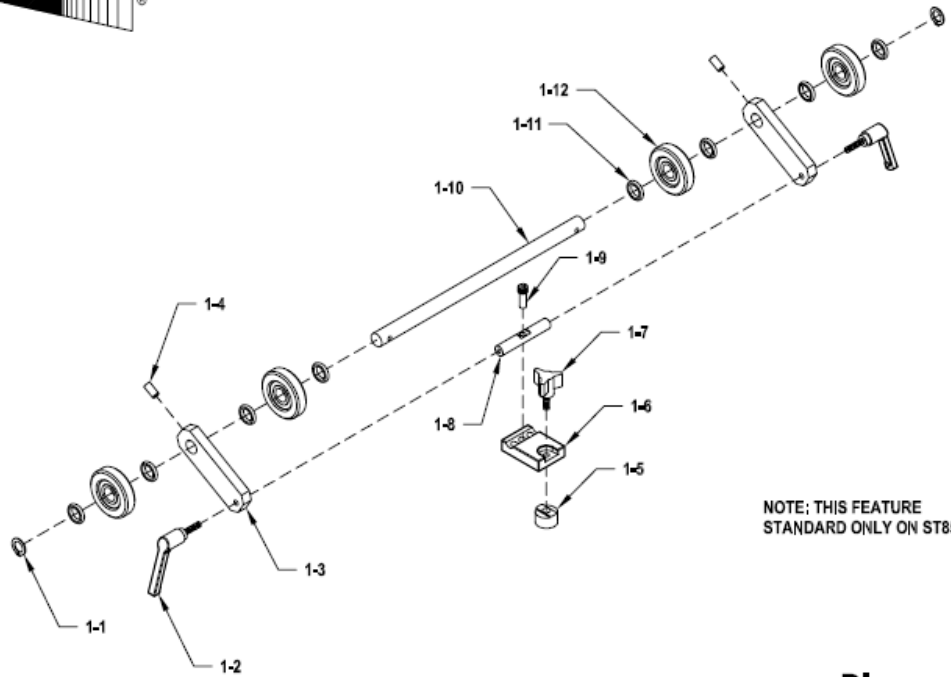




Streamfeeder[®]



ST550 / ST850



NOTE: THIS FEATURE
STANDARD ONLY ON ST850

ST550 / ST850

Diagram 1

Articulating Roller Wedge
Assembly #63311340

ST550 / ST850

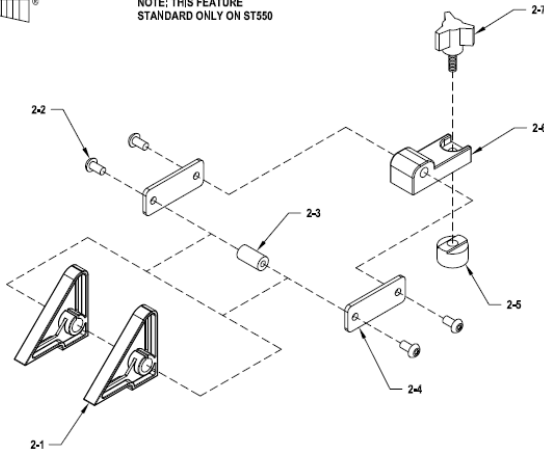
1: ARTICULATING ROLLER WEDGE ASSEMBLY #63311340

NOTE: THIS FEATURE STANDARD ONLY ON ST850

<u>DIAGRAM NUMBER</u>	<u>QTY</u>	<u>DESCRIPTION</u>	<u>PART NUMBER</u>
1-1	2	Ring Grip 1/2 Waldes	00001115
1-2	2	Lever Adjustment 10-32 X .75	43555098
1-3	2	Bracket Roller Wedge Pivot	44633024
1-4	2	Screw Socket Set 1/4-20 X 1/2" LG	00002327
1-5	1	T-Nut Round	44633016
1-6	1	Wedge Block	44633014
1-7	1	Knob 3 Lobe 10-32 X 5/8	44633033
1-8	1	Roller Wedge Shaft	44633010
1-9	1	SHCS 10-32 X 5/8" LG	00002320
1-10	1	Shaft Idler	23560147
1-11	8	O Ring 7/16	44340017
1-12	4	Bearing Ball R8 Wedge Roller Wheel	23500094 44340012



NOTE: THIS FEATURE
STANDARD ONLY ON ST550



ST550 / ST850

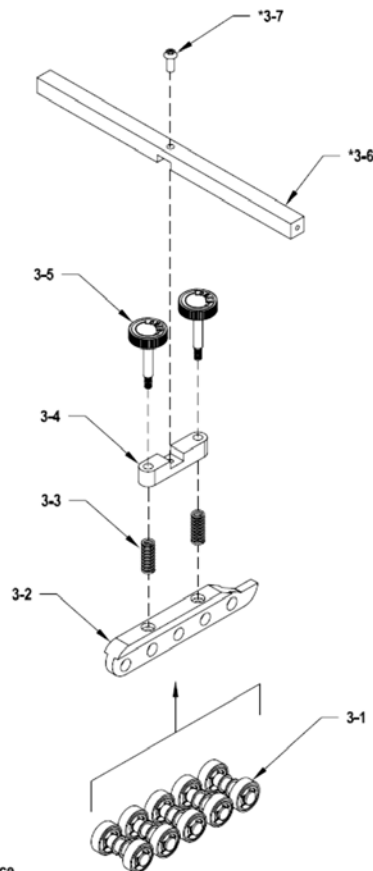
Diagram 2
Extended Narrow Wedge
Assembly #63311212

ST550 / ST850

2: EXTENDED NARROW WEDGE ASSEMBLY #63311212

NOTE: THIS FEATURE STANDARD ONLY ON ST550

DIAGRAM NUMBER	QTY	DESCRIPTION	PART NUMBER
2-1	2	Wedge Material Support	33560212
2-2	4	BHCS 10-32 X 3/8	00002305
2-3	1	Shaft, Belt Tensioner 3/8	43555077
2-4	2	Bracket Extension Narrow Wedge	44633022
2-5	1	T-Nut Round	44633016
2-6	1	Block Hold Down Wedge	44633021
2-7	1	Knob 3 Lobe 10-32 X 5/8	44633033



*Part exists in diagram for reference only and is not included with this assembly. Must be ordered separately.

ST550 / ST850

Diagram 3
5 Axle Hold Down
Assembly #43511310

ST 550 / ST850

3: 5 AXLE HOLD DOWN ASSEMBLY #43511310

DIAGRAM NUMBER	QTY	DESCRIPTION	PART NUMBER
3-1	5	Bearing Holder Shaft	43560008
	10	Bearing Ball R6	23500095
	10	Ring Grip 3/8 Waldes	00001110
	20	Clip E 3/8 Waldes	00001150
3-2	1	Holder Bearing 5 Axle	43560310
3-3	2	Spring Compression	23560083
3-4	1	Bar Hold Down Adjustment	23560086
3-5	2	Hold Down Knob Assembly	23511077
*3-6	1	Bar Cross Support	33560215 (550) 23560215 (850)
*3-7	1	BHCS 10-32 X 1/2" LG	00002334

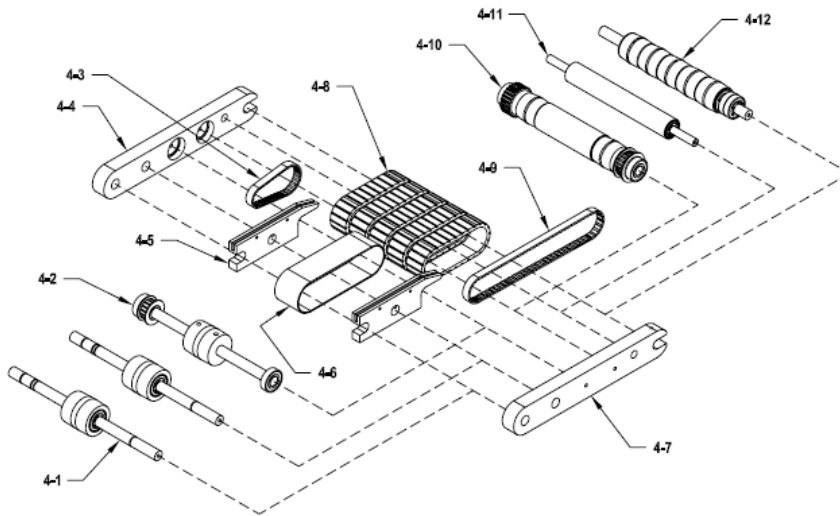
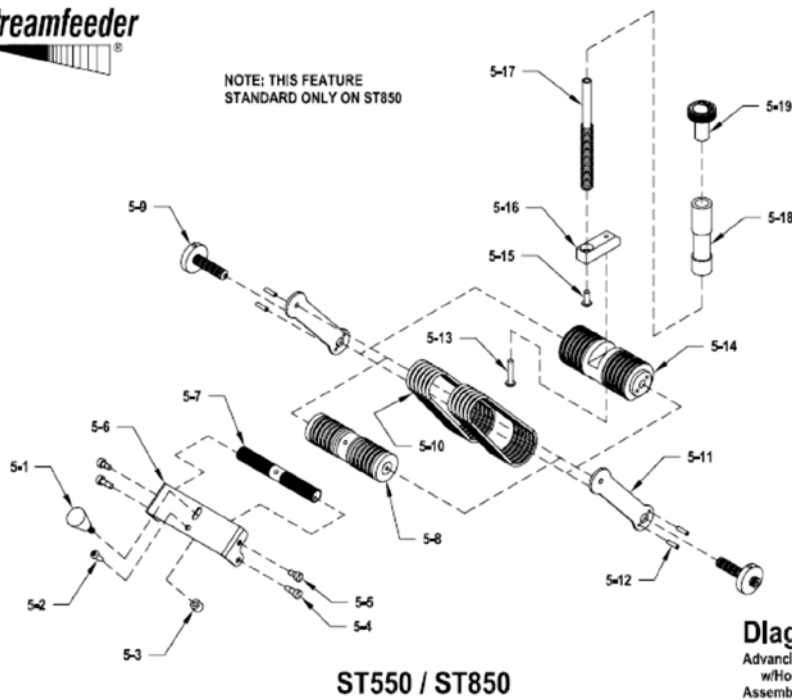


Diagram 4
Grooved Gum Rubber Carriage
Assy #71011162 (550)
Assy #70011162 (850)

ST550 / ST850

NUMBER	QTY	DESCRIPTION	P/N 550	P/N 850	
4-1	2	Shaft, Idler	33560047	23560047	
	2	Roller Crown Driven with Bearings	→	23511105	
	4	Clip E 1/2 Waldes	→	00001155	
4-2	1	Shaft Drive 1/2 SS	33560211	23560211	
	1	Drive Crown Pulley	→	23560106	
	1	Pulley, Timing 16XL037 .500 K DFA	→	43560097	
	2	Screw Socket Set 10-32 X 1/8" LG	→	00003352	
	2	Screw Socket Set 1/4-20 1/2" LG	→	00002327	
	2	Bearing Ball R8	→	23500094	
	1	Woodruff Key 1/8 X 3/8	→	00003351	
4-3	1	Belt, Timing 78XL037	→	23560078	
4-4	1	Holder Right Hand Carriage	→	23560202	
4-5	2	Rail, Material Support Slide	→	23560082	
	2	Slide, Anti Dive	→	44970006	
	4	Screw Socket Set 8-32 X 1/4" LG	→	00002203	
4-6	1	Belt Discharge Clear 1.5 Wide	→	23560088	
4-7	1	Holder Left Hand Carriage	→	23560203	
4-8	3 (550) 5 (850)	Belt, Feed Tan Gum 24G Liner 1W X 9L	→	23500162	
4-9	1	Belt, Timing 170XL037	→	43500096	
4-10	1	Shaft Drive	44710012	44700016	
	1	Pulley, Timing 24XL037 .500KA	→	43560098	
	1	Pulley, Timing 20XL037 .500K DFA	→	23500097	
	2	Bearing Ball R8	→	23500094	
	2	Clip E 1/2 Waldes	→	00001155	
	2	Key Woodruff 1/8 X 3/8	→	00003351	
	1	Screw Socket Set 10-32 X 1/4" LG	→	00002216	
	3	Screw Socket Set 10-32 X 5/16" LG	→	00002217	
	4-11	1	Shaft Belt Support Bearing	33560040	23500040
		1	Tube Belt Support	23500270	44700002
2		Bearing Ball R8	→	23500095	
2		Clip E 3/8 Waldes	→	00001150	
4-12	1	Shaft Idler	33560047	23560047	
	1	Tube Driven	44710003	44700001	
	4	Bearing Ball R8	→	23500094	
	1	Grip Ring, 1/2 Shaft	00001115		
	2 (550) 4 (850)	Clip E 1/2 Waldes	→	00001155	



ST550 / ST850

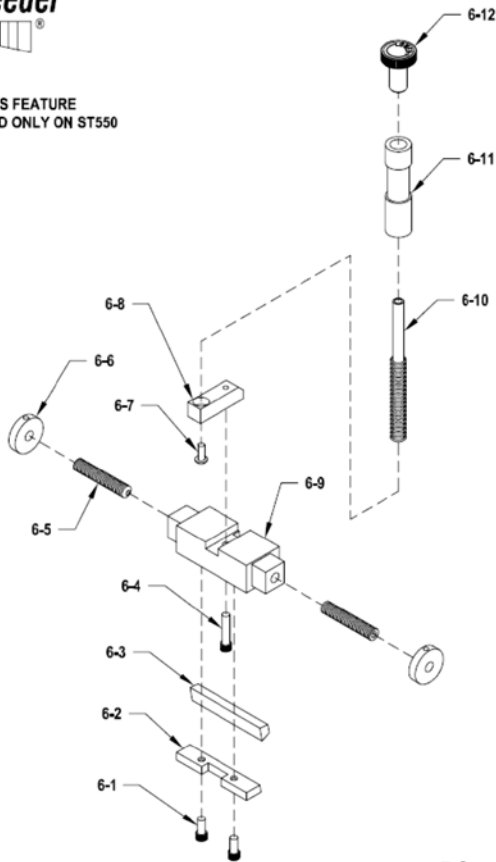
**5: ADVANCING O RING GATE w/HORIZON ADJUST
ASSEMBLY #87211001**

NOTE: THIS FEATURE STANDARD ONLY ON ST850

DIAGRAM NUMBER	QTY	DESCRIPTION	PART NUMBER
5-1	1	Handle Studded 10-32 X 1/2	44657007
5-2	1	BHCS 8-32 X 1/2" LG	00002302
5-3	1	Spacer Belt Indexer .312 X .375	44657010
5-4	2	Screw Shoulder 8-32 Slotted	00003320
5-5	2	Screw Shoulder 8-32 X 1/8	00003321
5-6	1	Belt Indexer Bracket	44657005
5-7	1	Pinch Roll Cam	44657003
5-8	1	Belt Indexer Shaft	44657008
	2	O Ring Take Up Roller	44657002
	1	Belt Indexer Center Hub	44657009
	2	Clip E 1/2 Waldes	00001155
	2	Screw Socket Set 8-32 X 5/16" LG	00002211
5-9	2	Roller	44872003
	2	Adjustment Screw	44872005
	2	SHSS 10-32 X 3/8" LG Nylon Tip	44872007
5-10	12	O Ring Advancing Gate SDO	44657006
5-11	2	Side Plate Adjust	44872002
5-12	4	Pin Roll 1/8 X 1/2	00001161
5-13	1	BHCS 10-32 X 1" LG	00002340
5-14	1	Gate Cylinder w/Horizon (Not Sold Individually)	44872004
5-15	1	BHCS 10-32 X 1/2" LG	00002334
5-16	1	Mount Gate Lift Shaft	15000001
5-17	1	Shaft Gate Lift	23560084
	1	Spring Gate Compression	23500083
5-18	1	Cylinder Gate Spring Tension	23500019
5-19	1	Adjustment Knob Assembly for Gate	23511037



NOTE: THIS FEATURE
STANDARD ONLY ON ST550



ST550 / ST850

Diagram 6

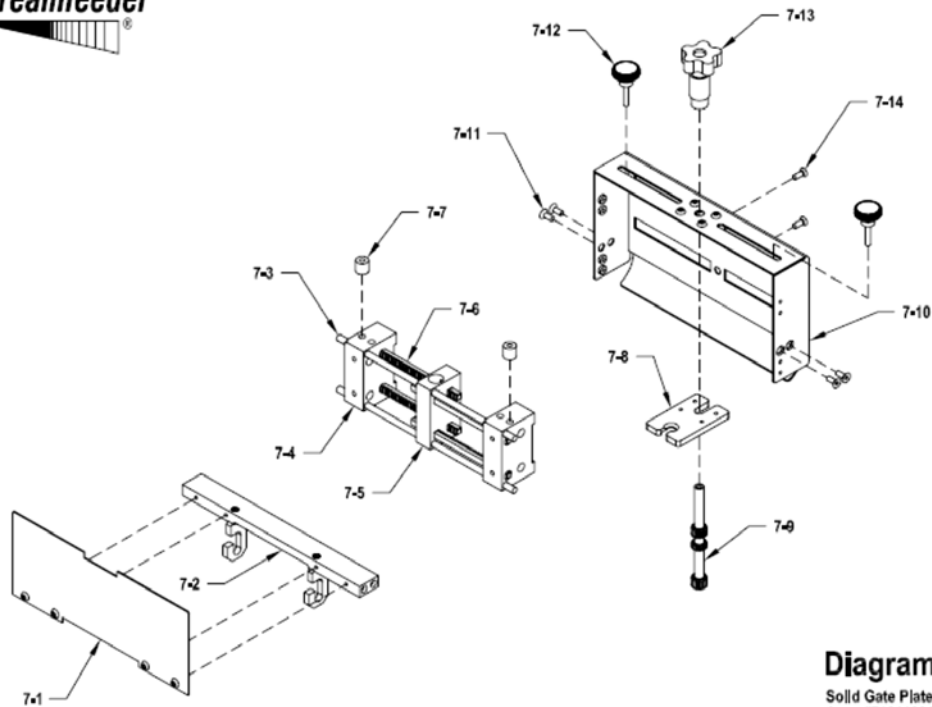
Bar Gate II w/Horizon Adjust
& Urethane Insert
Assembly #15011872

ST550 / ST850

**6: BAR GATE II w/HORIZON ADJUST & URETHANE INSERT
ASSEMBLY #15011872**

NOTE: THIS FEATURE STANDARD ONLY ON ST550

<u>DIAGRAM NUMBER</u>	<u>QTY</u>	<u>DESCRIPTION</u>	<u>PART NUMBER</u>
6-1	2	SHCS 10-32 X 1/2" LG	00002315
6-2	1	V-Bar Gate Belting Holder	44500067
6-3	1	V Belting, 3/8 X 3 Inch Orange Urethane	44500054
6-4	1	SHCS 10-32 X 1" LG	00002335
6-5	2	Adjustment Screw	44872005
6-6	2	Roller Screw Socket Set 10-32 X 3/8" LG Nylon Tip	44872003 44872007
6-7	1	BHCS 10-32 X 1/2" LG	00002334
6-8	1	Mount Gate Lift Shaft	15000001
6-9	1	Bar Gate II Cylinder Horizon	44996008
	2	Screw Socket Set 10-32 X 1/4" LG Cup Point	00002216
6-10	1	Shaft Gate Lift	23560084
	1	Spring Gate Compression	23500083
6-11	1	Cylinder Gate Spring Tension	23500019
6-12	1	Adjustment Knob Assembly for Gate	23511037



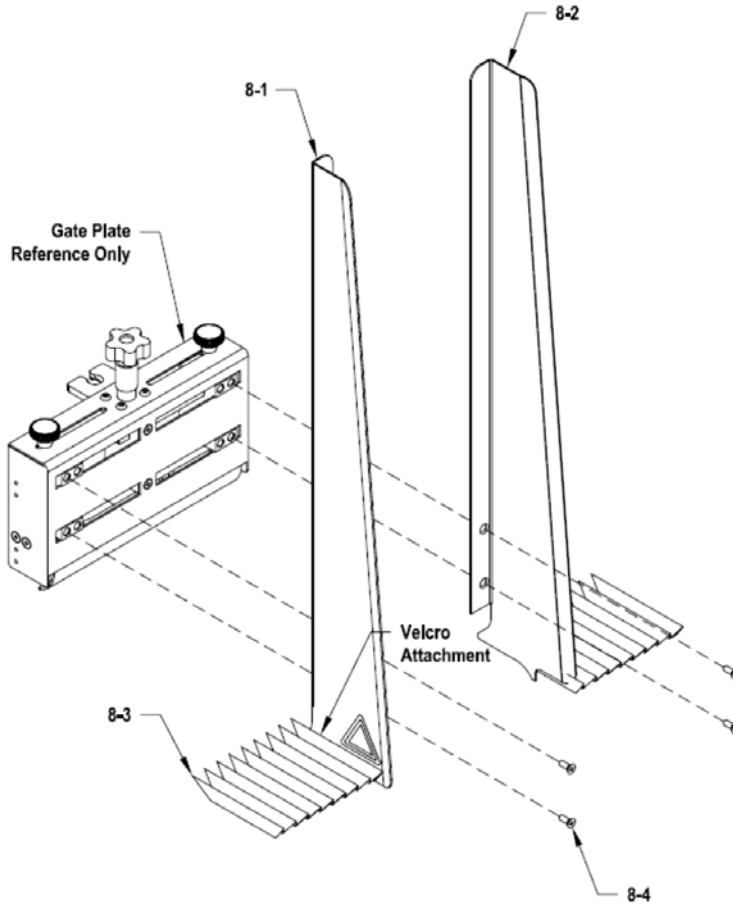
ST550 / ST850

**7: SOLID GATE PLATE #71011004 (550)
#70011004 (850)**

Diagram 7

Solid Gate Plate
Assy #71011004 (550)
Assy #70011004 (850)

<u>DIAGRAM NUMBER</u>	<u>QTY</u>	<u>DESCRIPTION</u>	<u>P/N 550</u>	<u>P/N 850</u>
7-1	1 4(850) 2(550)	Cover Side Guide Adjustment BHCS 10-32 X 3/8" LG	44710011 →	44700014 00002805
7-2	1 2 2	Bar Lower Gate Support Hook Gate J SHCS 8-32 X 5/8" LG	44710008 → →	44700011 15000007 00002215
7-3	2	Rail Side Guide Support	44710009	44700012
7-4	2 4	Side Guide Adjustment Block Screw Socket Set 1/4-20 X 1/4" LG	→ →	44646001 00002205
7-5	1	Guide Stationary Block Side	→	44646002
7-6	4	Rack	44710010	44700013
7-7	2	Spacer Lower	→	44646015
7-8	1 4	Block Adjustment Reference BHCS 10-32 X 3/8" LG	→ →	44646004 00002805
7-9	1	Shaft Pinion Adjustment	→	44646005
7-10	1	Solid Gate Plate	44710002	44700005
7-11	4	Screw Flat Head 10-32 X 3/8" LG	→	00002234
7-12	2 2 2	Knob Plastic 10-32 Screw Socket Set 10-32 X 1-1/2" LG Spacer Upper	→ → →	44681021 00003313 44646016
7-13	1 1 1 1	Knob 5 Lobe Spring Retainer Upper Spring Retainer Lower Spring Compression	→ → → →	44646009 44646008 44646007 44646013
7-14	2	Screw Flat Head 10-32 X 1/2" LG	→	00002830



ST550 / ST850

Diagram 8
Side Guides &
Related Items

8: SIDE GUIDES & RELATED ITEMS

<u>DIAGRAM NUMBER</u>	<u>QTY</u>	<u>DESCRIPTION</u>	<u>PART NUMBER</u>
8-1	1	Side Guide Left 1424	44640017
	1	Label Warning Belt Pinch Point	44600005
8-2	1	Side Guide Right 1424	44640018
	1	Label Warning Belt Pinch Point	44600005
8-3	2	Guard Rear Accordion	44600001
8-4	4	Screw Flat Head 10-32 X 1/2" LG	00002830

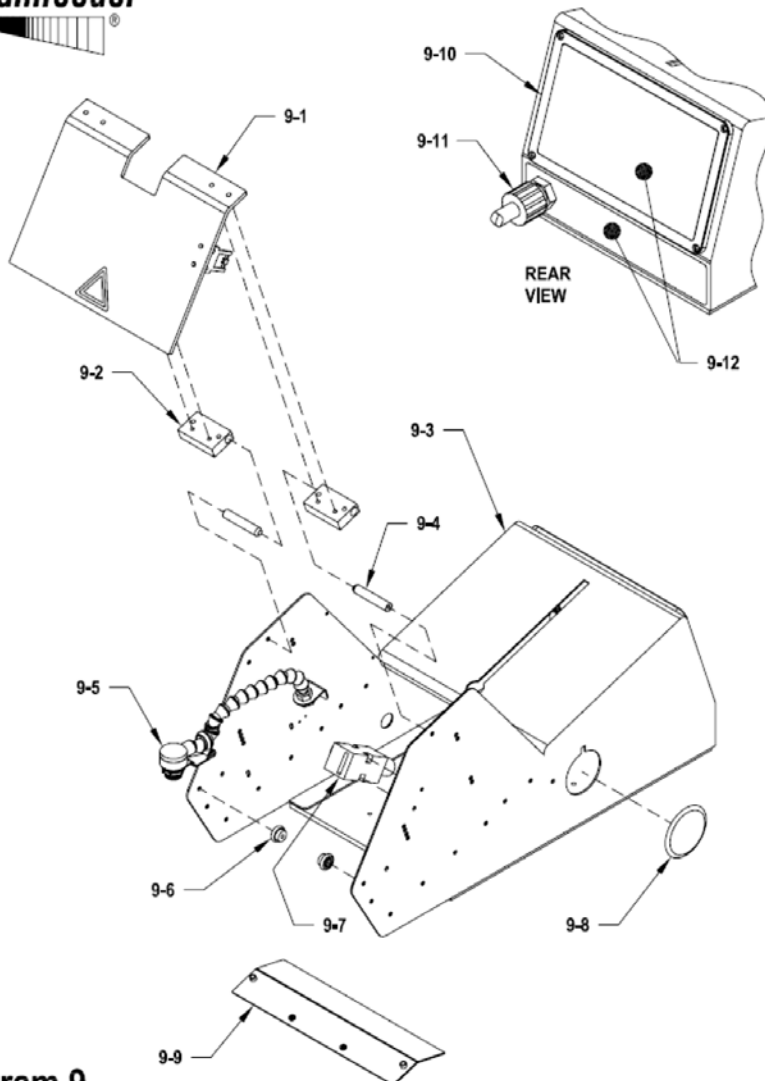
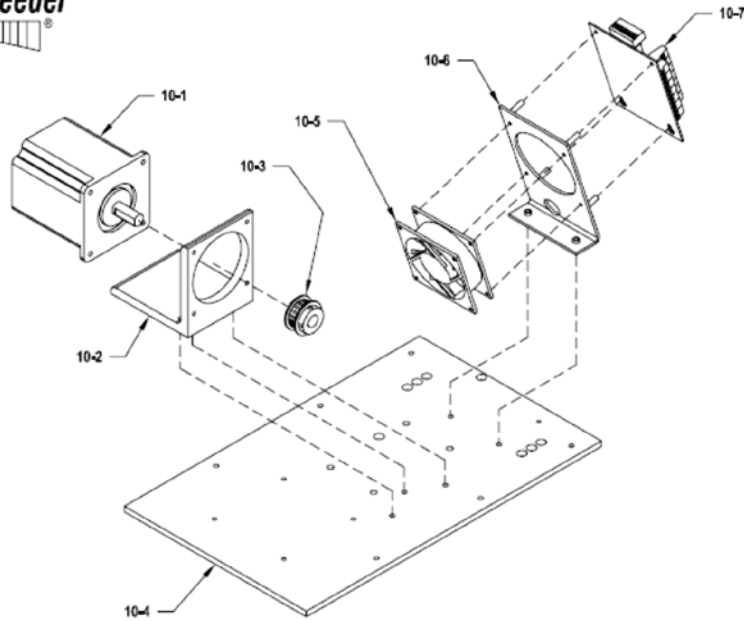


Diagram 9
Base - Exterior

9: BASE - EXTERIOR

<u>DIAGRAM NUMBER</u>	<u>QTY</u>	<u>DESCRIPTION</u>	<u>P/N 550</u>	<u>P/N 850</u>
9-1	1	Cover, Top Protective	44710006	44700009
	1	Label, Roller Pinch Point Warning	→	44600004
	1	Key, Safety Interlock	→	44649010
9-2	2	Hinge, Top Cover Mount	→	44640012
9-3	1	Shell	44710001	44700004
9-4	2	Shaft, Top Cover Hinge Mount	→	44640011
9-5	1	Sheet Sensor Assembly	→	70011008
9-6	2	Bracket, Rubber Spacer	→	44640009
	2	O Ring, Support Cover	→	43555068
9-7	1	Safety Interlock Switch Assembly	→	70011007
9-8	1	Plug, 2 Inch Hole Cover	→	44500061
	1	Label, Belt Routing	→	44500071
9-9	1	Cover, Bottom Protective	44710007	44700010
9-10	1	Plate, Cover	44710016	44700023
9-11	1	Cable, 5 foot Interconnect	→	68311003
9-12	1	Graphic	44710017	44700024



ST550 / ST850

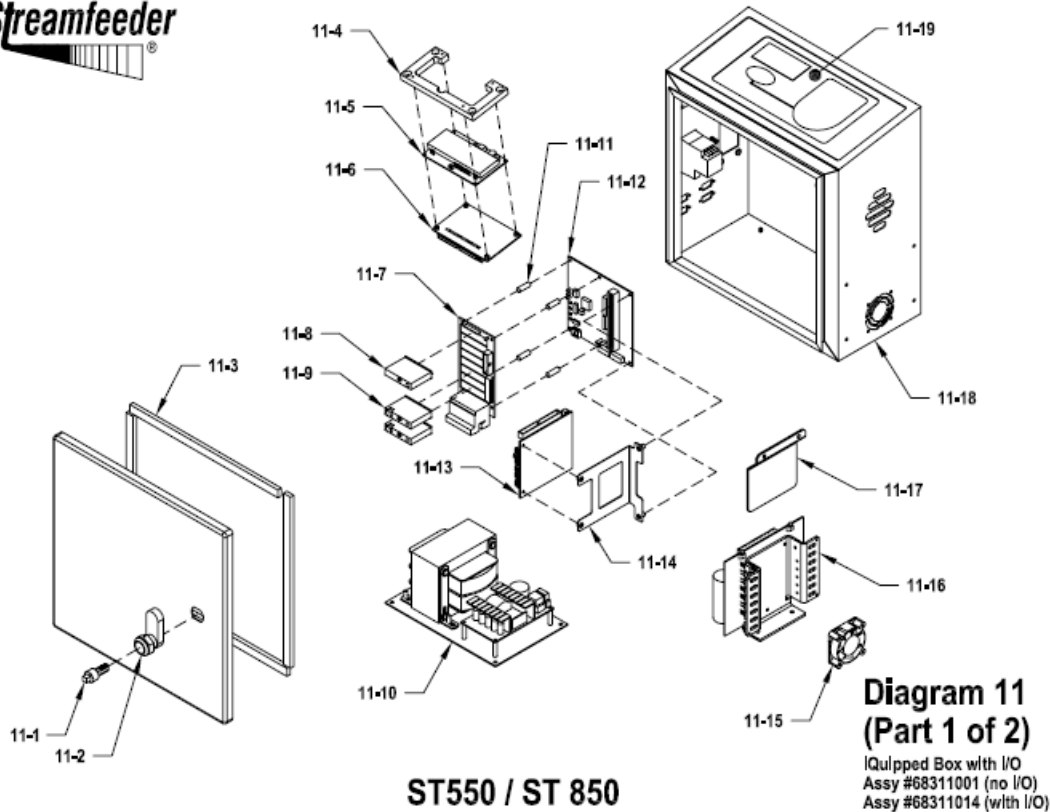
Diagram 10
Base - Interior

10: BASE - INTERIOR

<u>DIAGRAM NUMBER</u>	<u>QTY</u>	<u>DESCRIPTION</u>	<u>PART NUMBER</u>
10-1	1	Stepper Drive Motor Assembly	53511390
10-2	1	Motor Mount	44630011
10-3	1	Pulley, Timing 18XL037 .500KDFHA	44350053
	2	Screw Socket Set 10-32 X 1/8	00003352
	(spec. length)	Key Stock 1/8	44852080
10-4	1	Mounting Base	44710013 (550) 44700017 (850)
10-5	1	Fan Assembly	70011001
10-6	1	Bracket, Fan Mounting	44700018
10-7	1	I/O Distribution Board	44700021

BASE FEATURES – NOT SHOWN

<u>QTY</u>	<u>DESCRIPTION</u>	<u>PART NUMBER</u>
3	Mount, Cable Adhesive C Type	23500079
1	Belt Tensioner Assembly	23511290
1	Tie, Cable Black	435SO263
1	Power Cord (115V Models Only)	53511020
1	Power Cord & Allen Wrenches (230V Only)	53522210
1	Flight Sensor Assembly	63011038



11: IQIPPED BOX WITH I/O

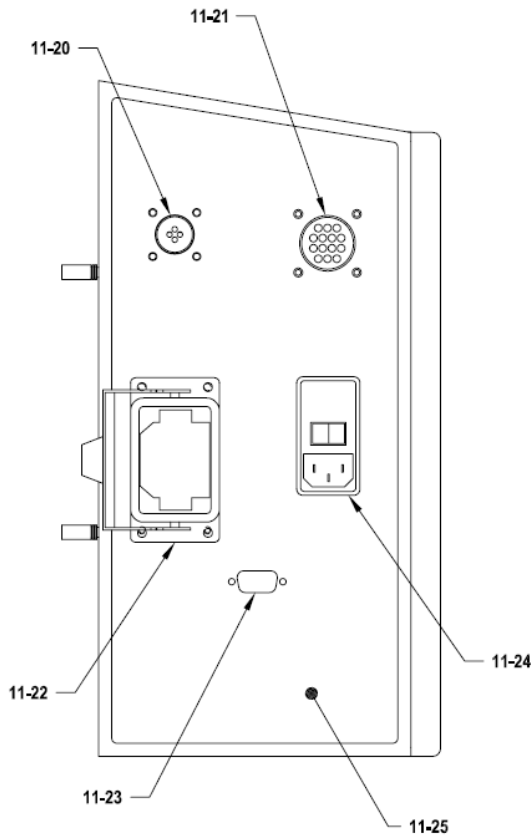
BASE ASSEMBLY #68311001 I/O ASSEMBLY #68311014

DIAGRAM NUMBER	QTY	DESCRIPTION	PART NUMBER
11-1	1	Insert 7mm Square	44683022
11-2	1	Cam Latch Lock	44683021
11-3	44"	Gasket	44683028
11-4	1	Bracket Display Mounting	44683002
11-5	1	Display VFD w/Connector Header Pin	53511605
11-6	1	Board Keypad Decoder	53500605
*11-7	1	Board Relay I/O	44545026
*11-8	1	Relay Module DC Input 2.5-16VDC Hi Speed	44649115
*11-9	2	Relay Module DC Output 5-60 VDC 3A	44649112
11-10	1	Power Pack Transformer/DC Supply Assy IQ	68311002
*11-11	4	Spacer Standoff .75 X .25 Round Nylon	44675045
*11-12	1	Board Motherboard w/o Options	44649055
11-13	1	Board CPU w/ 96-Pin Connector	44649014
*9-14	1	Bracket Stabilizing PCB	44649125
11-15	1	Fan Assembly ST Box	68311008
11-16	1	Board Stepper Drive BLD 72-2	53500467
11-17	1	Plate Deflector	44683003
11-18	1	Box IQIPPED Control (Door Included)	44683001
11-19	1	Keypad ST Series IQIPPED	44683005

11: IQIPPED BOX WITH I/O

BASE ASSEMBLY #68311001 I/O ASSEMBLY #68311014

DIAGRAM NUMBER	QTY	DESCRIPTION	PART NUMBER
11-20	1	Harness Flight Trigger	64911005
*11-21	1	Harness I/O Internal 14 Pin	64911014
11-22	1	Harness Receptacle Interconnect IQ Box	68311009
11-23	1	Cable Communication DB9 Female IQ Box	44683027
	2	Jackscrew 4-40 Male-Female	53500512
11-24	1	Module AC Power Entry (w/o Fuses)	44649034
*11-25	1	Graphic Overlay With I/O	44683029
NOT SHOWN	16	Cable Tie Wrap	435SO263
	2	U-Bolt Square Bend 3 3/8	44360051
	1	Cable Ribbon Display	44649022
**1	1	Connector T&B 96 Pin	44649031
**1	1	Bracket Mounting CPU Board	44649038
	1	Plate Mounting IQIPPED Box	44683006
	2	Retainer Mounting IQIPPED Box	44683007
	1	Key 7mm Square	44683023
**1	1	Overlay Graphic IQIPPED	44683024
	2	Fuse 3A 250V Slo-Blo GMD 5 X 20mm	53500006
	2	Terminal Ring	53500046
	11	Wire MTW 18 Ga Stranded Green/Yellow St	53500057
	1	Cable Ground Wire Assembly	63011007
	1	Harness Power Supply DC Outputs	64911006
	1	Harness Drive Control	64911007
*1	1	Cable Ribbon Relay I/O	44649007
*1	1	Cable External Systems 14 Pin	64911012
SOLD SEPARATELY	1	Eprom (Batch Count Model Only)	63511001
	1	Eprom (Batch Count Model Only)	63511002



ST550 / ST850

11: IQIPPED BOX WITH I/O

BASE ASSEMBLY #68311001 I/O ASSEMBLY #68311014

<u>DIAGRAM NUMBER</u>	<u>QTY</u>	<u>DESCRIPTION</u>	<u>PART NUMBER</u>
11-20	1	Harness Flight Trigger	64911005
*11-21	1	Harness I/O Internal 14 Pin	64911014
11-22	1	Harness Receptacle Interconnect IQ Box	68311009
11-23	1	Cable Communication DB9 Female IQ Box	44683027
	2	Jackscrew 4-40 Male-Female	53500512
11-24	1	Module AC Power Entry (w/o Fuses)	44649034
*11-25	1	Graphic Overlay With I/O	44683029
NOT SHOWN			
	16	Cable Tie Wrap	435SO263
	2	U-Bolt Square Bend 3 3/8	44360051
	1	Cable Ribbon Display	44649022
	**1	Connector T&B 96 Pin	44649031
	**1	Bracket Mounting CPU Board	44649038
	1	Plate Mounting IQIPPED Box	44683006
	2	Retainer Mounting IQIPPED Box	44683007
	1	Key 7mm Square	44683023
	**1	Overlay Graphic IQIPPED	44683024
	2	Fuse 3A 250V Slo-Blo GMD 5 X 20mm	53500006
	2	Terminal Ring	53500046
	11	Wire MTW 18 Ga Stranded Green/Yellow St	53500057
	1	Cable Ground Wire Assembly	63011007
	1	Harness Power Supply DC Outputs	64911006
	1	Harness Drive Control	64911007
	*1	Cable Ribbon Relay I/O	44649007
	*1	Cable External Systems 14 Pin	64911012
SOLD SEPARATELY			
	1	Eprom (Batch Count Model Only)	63511001
	1	Eprom (Batch Count Model Only)	63511002

*Denotes optional feature associated with I/O assembly #68311014

**Denotes part that was removed from standard configuration to accommodate I/O option



Haben Sie Fragen zu weiteren
STREAMFEEDER
Ersatz- oder Verschleißteile ?

Rufen Sie uns bitte an
Tel.: 0 45 42 – 8 56 68 - 0





GIBAG Deutschland - Kuvertiermaschinen Bundesstr.9b 23881 Alt-Mölln

GIBAG Deutschland
Kuvertiermaschinen - Papiernachbearbeitungsanlagen
Bundesstr.9b
23881 Alt-Mölln

Telefaxbestellung
04542-85668-20

Auftragnehmer

Ersatzteilebestellung

Ihre Telefon-Nr.:	
Ihre Telefax-Nr.:	
Name des Bestellers:	
Position:	
e-mail	
Ihre Auftragsvergabe-Nr.:	
Ihre USt.-ID.Nr.:	

Auftrags-Nr.:	
Kunden-Nr.:	
Datum:	
Ihr Ansprechpartner:	Herr F.W. Eller
Auftraggeber/Rechnungsanschrift	

Die Lieferung erfolgt aufgrund unserer Ihnen bekannten Allgemeinen Geschäftsbedingungen

Pos	Artikelnummer Bestellnummer	Menge Anzahl	Bezeichnung		Einzelpreis netto	Gesamtpreis netto
1						
2						
3						
4						
5						
6						
7						
8						
9						
10						
				Luftfracht:		
				Zollgebühr:		
Ursprungsland:				Verpackung:		
Versandart:		Lieferanschrift:		Versandkosten:		
Post				Mindermengen-Aufschlag:		
Express				Nettowert		
Spedition				19 % Mehrwertsteuer		
Abholung				Gesamtbetrag		
Kurierdienst						
Gewünschter Liefertermin:				Bei einem Auftragswert unter € 50,00 erheben wir einen Mindermengen-Aufschlag in Höhe von € 10,00		

Zahlungsvereinbarung	Vorkasse	8 Tage nach Lieferung	30 Tage nach Lieferung
	Neukunde	ohne Abzug	4% Aufschlag
	<input checked="" type="checkbox"/>	<input type="checkbox"/>	<input type="checkbox"/>

Stempel und rechtsverbindliche Unterschrift des Auftraggebers

Mindestlohn ab dem 01.01.2015
ab dem 01.01.2015 ist der gesetzliche Mindestlohn für alle Arbeitnehmer/innen in Kraft getreten.
Teil dieses Mindestlohngesetzes ist es auch, dass bei der Beauftragung von Dienst- und Werksleistungen, auch bei Subunternehmern und Zulieferern, die Zahlung des Mindestlohnes eingehalten wird. Hiermit bestätigen wir Ihnen, dass wir unseren Mitarbeitern den entsprechenden Mindestlohn zahlen und alle Vorgaben zum Mindestlohn erfüllen.



Presseinformation vom 14. September 2015

Quellennachweis: [Pack aktuell Team, Schweiz](#)

Der US-amerikanische Verpackungsmaschinen-Hersteller Thiele Technologies Inc. verstärkt sich bei der Zuführ-Technik. Thiele, der zum US-Technologiekonzern Barry-Wehmiller Inc. gehört, übernimmt den Bereich "Direct Mail Solution and Sure-Feed Engineering" von Pitney Bowes, der unter anderem Friktionsanleger herstellt. Der Pitney-Bowes-Bereich wurde vor zehn Jahren gegründet und entwickelt, produziert und vertreibt Zuführsysteme und Friktionsanleger für unterschiedlichste Industrien und Produkte weltweit. Der Bereich gehört seit 2007 zum Geschäftsfeld Direct Mail Solutions von Pitney Bowes, einem US-Konzern, der 4 Milliarden USDollar umsetzt und integrierte Dienstleistungen für E-Mail, Messaging und Dokumentenmanagement anbietet.

Thiele Technologies ist ein Geschäftsbereich des Konzerns Barry-Wehmiller Companies Inc. und entstand 1998, als Barry-Wehmiller die Bemis Packaging Machinery Company kaufte und darin anschliessend die Firmen Thiele Engineering Company, Master Palettierer, Frontier Equipment, Edmeyer, Sidell, Streamfeeder, SWF Companies Inc., Nigrelli Systems, Hudson-Sharp Machine Company und Symach integrierte. Thiele hat sich dadurch zu einem globalen Anbieter von Verpackungstechnik entwickelt und ist auch in Europa mit zwei Produktionsstandorten in Benelux vertreten. Schwerpunkte sind Systeme und Lösungen für Sackbefüllung und Palettierung, Kartonverpackung und Palettierung, Kartонieren, Bündeln sowie Befüllen und Platzierung vorgefertigter Beutel.

Das Stammhaus, der Technologie-Konzern Barry-Wehmiller, setzt 2 Mrd. USDollar um und beschäftigt über 8000 Personen.

Link zur den an der Transaktion beteiligten Unternehmen:

www.pitneybowes.com

www.barrywehmiller.com

Link: www.thieletech.com

Weitere Informationen: <http://www.packaktuell.ch/news/unternehmen/2015/9/14/thiele-technologies-ausbau-bei-friktionsanlegern-uebernahme-des-bereiches-sure-feed-engineering-von-pitney-bowes.aspx#sthash.y57CyrAF.dpuf>

Replace-A-Station *Sure-Feeder* Modell 900/1200EI



Specifications

Maximum Product Size **1200EI**: 11.5 W x 12 L in (292 x 305 mm)

900EI: 9.125 W x 12 L in (232 x 305 mm)

Minimum Product Size 3.0 W x 3.0 L in (76 x 76 mm)

Min/Max Product Thickness .002 - .375 in (.05 - 10 mm)

Feeder Hopper Capacity 20" vertical (508 mm)

Speed Variable 20 to 350 ft./min. (50 to 889 cm/min.)

Utilities 120/240vac, 50/60Hz, 1A

Other sizes and thickness capabilities available. Contact us for your application.