



Streamfeeder®

**Pro Series - Feeder/Dispenser
Model SI-1750**



Siehe auch:
<http://streamfeeder.com/Saleslit/si1750.pdf>



Serie: *Streamfeeder* – Modell **ST-1750 EX**
Wide Products Feeder

Pro Series - Feeder/Dispenser
Model SI-1750

Geschwindigkeit: 144,780 mm/Minute
Größe des Beilagenmaterials:
Min.: **200** mm x **76,2** mm
Max.: **457,2** mm x **304,8** mm
Option:
Min.: 50,8 mm x 76,2 mm

Dicke des Beilagenmaterials:
Min.: 0,762 mm
Max.: 6,350 mm

Elektrischer
Anschluß : 230vac, 50/60Hz, 3A

Gewicht: 40,82 kg



Zubehör:

Geschwindigkeitsregulierer Encoder – Aufpreis

Teleskop Ständer mit 3 Farb-Elementen-Lampen
um bereits aus der Entfernung das Warnsignal erkennen zu können
– Art. Nr. PN 70011050 – Aufpreis

Applications:

- Wrapper/cartoners infeed conveyors
- Stand-alone batch counting
- Large size product feeding

Overview:

The SI-1750 is designed to be a flexible feeding solution for packaging operations pursuing greater productivity through automation. Ideal for use with wrapper, cartoner, L-sealer infeed conveyors, and other types of packaging equipment that require high performance feeding automation.

The powerful I-Quipped™ controller features an embedded micro-processor which provides an information management system and host communication.



Pro Series - Feeder/Dispenser
Model SI-1750

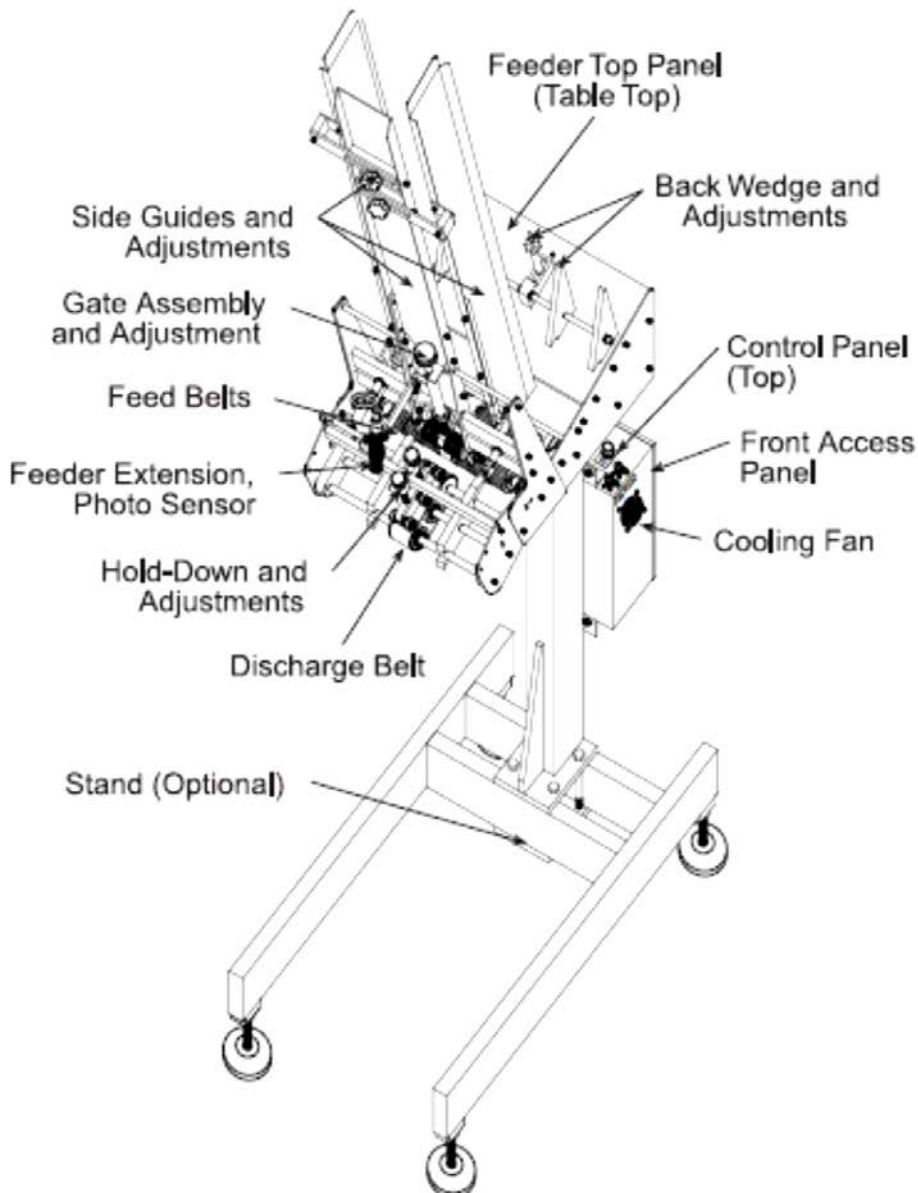
Main Features

The machine is entirely powered by a single high-torque stepper motor that runs off of either a 120- or 240-VAC electrical power source. Once the machine is prepared for operation, the power-up and operation of the feeder is relatively easy.



Your feeder may look slightly different than the model shown in the following diagrams.

But to get the most out of your machine, you should first become familiar with all of the features, including controls and sensors, connectors, and cables. Your feeder may look slightly different than the model shown in the following diagrams.

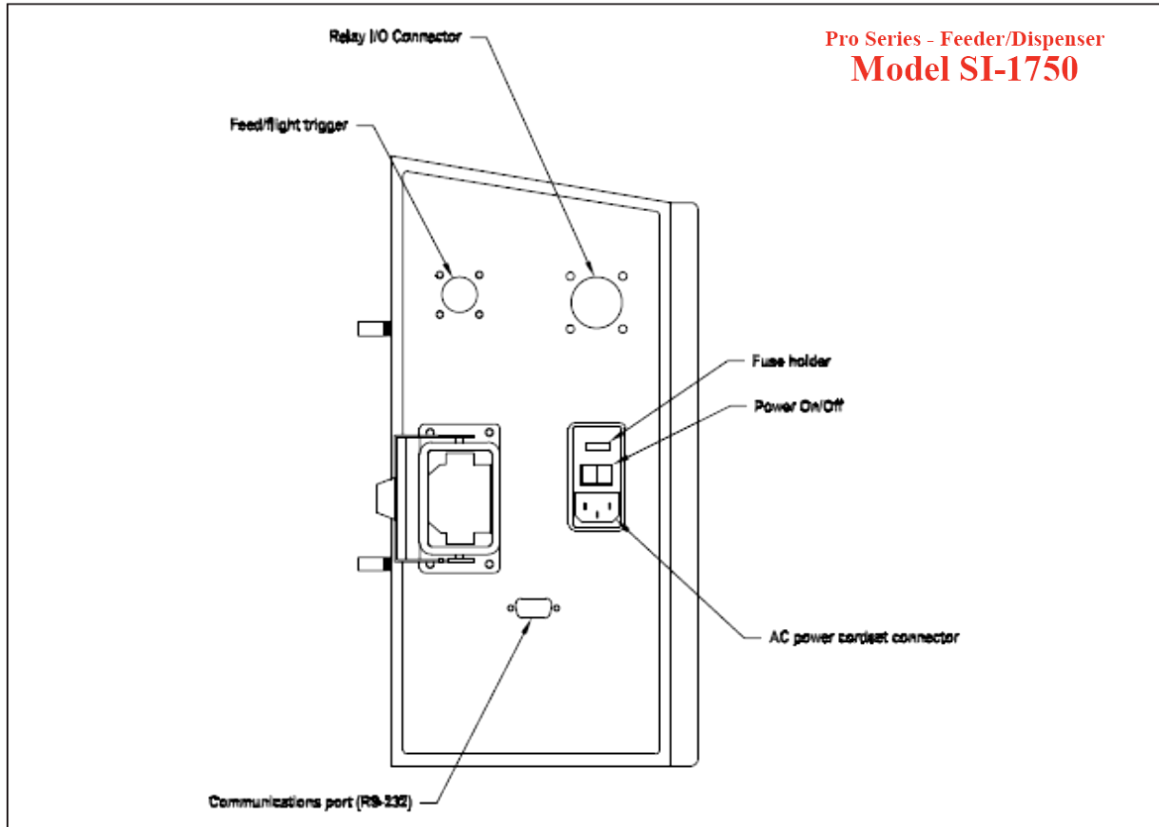




**Pro Series - Feeder/Dispenser
Model SI-1750**

Feature Descriptions of SI-1750

FEEDER	Contains the all hardware, drive motor, and belts for singulating and feeding product from a stack.
Gate assembly and adjustment	<i>Mounted on a gate plate directly above the feed belts, this device provides a curvature to help preshingle stacked product. When properly adjusted, a one-thickness gap is created to help singulate and eject product. Three types of gate assemblies are available, standard O-ring gate, bar gate (optional), and advancing O-ring gate (optional).</i>
Top panel (table top)	<i>Used to support the back wedge. Also provides access to interior of feeder.</i>
Side guides and adjustments	<i>Holds a stack of product to be fed and helps keep it straight for proper entry through the gate assembly area.</i>
Back wedge and adjustments	<i>Lifts the product to keep it off the table top, reduces excessive contact with the feed belts, and helps push the product against the curvature of the gate assembly. Four (4) types of wedge assemblies are available, double S, low-profile, and articulating roller (optional), triangle wedge (optional).</i>
Hold-down and adjustments	<i>This series of rollers provides a varying pressure on top of product to force it down on the discharge belt, thus helping to eject a single product after it exits the gate assembly area.</i>
Extension, photo sensor	<i>Also called a sheet sensor, it "looks" for the leading edge of the product to stop the feeder momentarily. For effective operation, a movable extension allows you to adjust for distance and perpendicular to product.</i>
Feed belts	<i>Provides the friction and motion necessary to pull individual product from the bottom of the stack and through the gate assembly area.</i>
Discharge belts	<i>Combined with the hold-down rollers, provides the friction and motion necessary to pull product away from the gate assembly area. Rotates 50% faster than feed belts to separate and eject the bottom product away from next product entering the gate assembly area.</i>
CONTROLLER	Contains the electronics and controls for operating the feeder. Also, it provides AC power and sensor communications to the feeder via an interconnect cable.
Control panel (top)	<i>Contains all controls, flight sensor connector, and interface/power connectors.</i>
Front access panel	<i>Allows access to controller box interior.</i>
Cooling fan	<i>Draws external air into the interior of box to cool components.</i>
Stand (optional)	<i>Supports the feeder and controller.</i>



IQuipped Box Features

IQuipped Box Feature Descriptions

Feature	Description
AC power cordset connector	Cordset plugs into this IEC320 connector to provide feeder with power from 115-VAC or 230-VAC outlet.
Power On/Off	Toggles AC power On or Off.
Fuse holder	Contains 2 replaceable GMD3, 3.15-Amp, 5-mm fuses. <i>IMPORTANT: Always make sure power module is replaced exactly as removed. Failure to follow this caution can result in damaged electrical parts.</i>
Relay I/O connector	This 14-pin connector is used to output to other devices, either AC or DC voltages, and/or receive input control signals.
Communications port (RS-232)	This 9-pin connector is used to either receive control/data signals from a computer, or send control/data signals to a computer.
Feed/flight trigger	The remote flight-detect sensor plugs into this 4-pin connector to provide the "start" signal to begin a feed cycle.

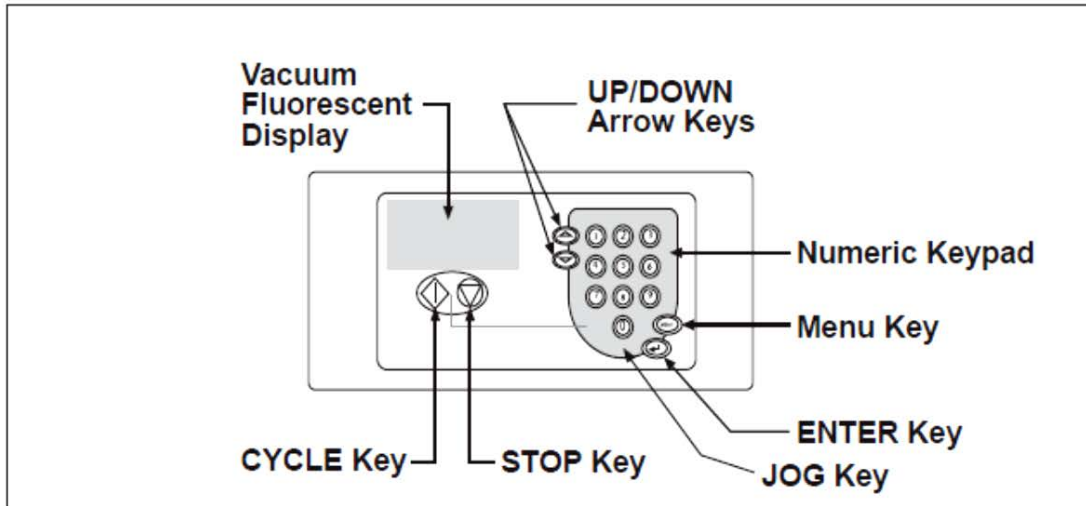


**Pro Series - Feeder/Dispenser
Model SI-1750**

Control Interface

The control interface consists of a keypad and display arrangement which allows you to not only control the operation of the feeder, but it also allows you to monitor the status of the job being run.

Control Interface Features



Control Interface Feature Descriptions

Feature	Description
Vacuum fluorescent display	This 4-line x 20-character display provides menus for the operator control interface and provides status of feeder during cycling.
Numeric keypad	Used to enter data which controls feeder activity, such as speed or batch count.
UP/DOWN arrow keys	Scrolls through the system configuration menus. Also, is used to increase and decrease the speed or batch count.
MENU key	Toggles display between the Run Display screen and the configuration menus.
ENTER key	Allows run values to be stored from the system configuration menus. Also, it resets the piece count or batch count.
CYCLE key	First, used to advance feeder from the "Suspended" mode to the "Ready" mode. Second, clears feeder faults, such as doubles and missed feeds (if applicable). Finally, completes one feed cycle when in "Ready" mode.
STOP key	Stops the feeder and holds it in "Suspended" mode. Also used to cancel a pending batch.
JOG key	Advances the feed belts at a fixed slow speed. This function is useful during feeder setup and may be used to clear jams.

General

The *control interface* provides you with several different options for monitoring status, entering configuration parameters, and cycling the feeder.

To fully understand how the control interface works, you must first understand the Run Display. The default menu from which you will start all control functions is called the *Run Display*. This screen is the default screen that is shown when you press any key after powering On the machine.



**Pro Series - Feeder/Dispenser
Model SI-1750**



Turn off feeder and disconnect from main power source before cleaning. Do not attempt to open the access cover. Equipment interior contains incoming 120- or 240-VAC electrical power. Bodily contact with these high voltages can cause electrocution, which can result in serious injury or death.

Cleaning Controller Box

Visually check the fan ventilation area of the controller box for excessive dust or grime buildup that might inhibit air movement. For more information, consult with a qualified technician.

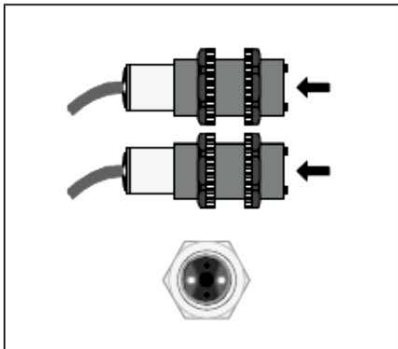


Do not use any solvents or cleaning agents when cleaning the photo sensor lenses. This can result in surface damage and eventual faulty performance.

Cleaning Photo Sensors

To clean the photo sensor lenses:

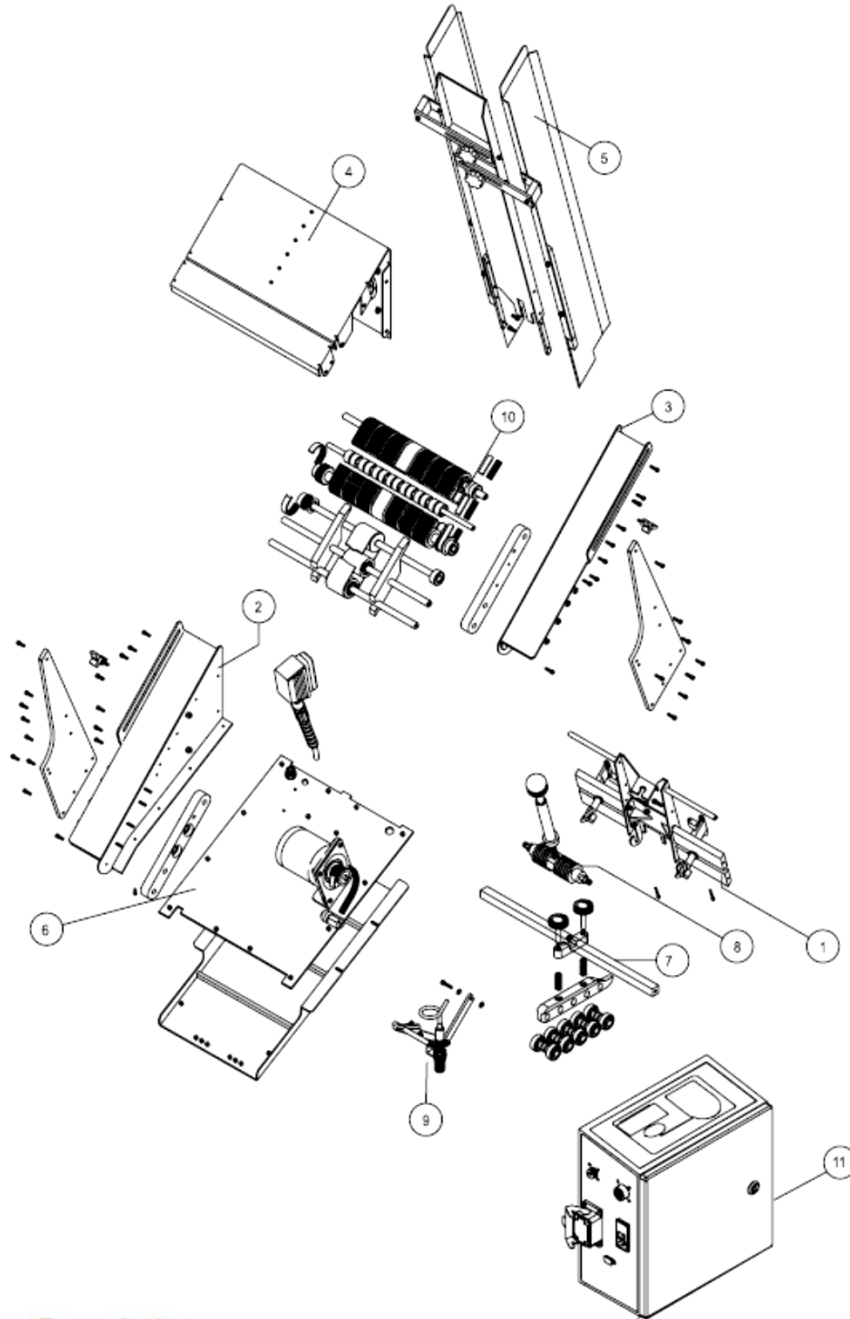
1. Turn Off feeder and remove power cord from outlet.
2. Using a soft, dry cloth, wipe across the face of each lens.
3. Recheck the adjustments of both photo sensors to make sure they are still in alignment to the targets.
4. Restore power.





Mechanical Components

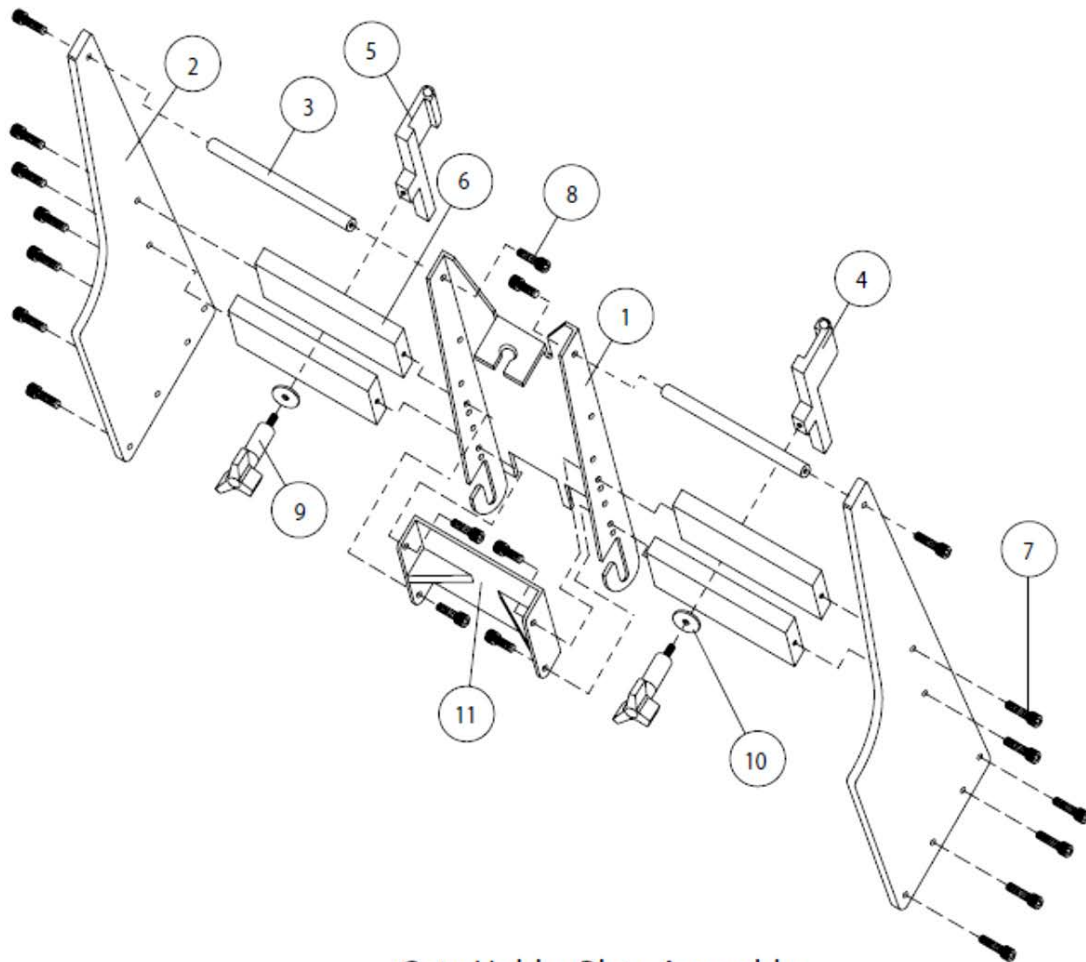
Pro Series - Feeder/Dispenser
Model SI-1750



Item #	Description
1	Gate Holder Plate Assembly
2	Right Side Plate Assembly
3	Left Side Plate Assembly
4	Table Top Assembly
5	Tall Insert Guide Assembly
6	Base Plate Assembly
7	Hold Down Assembly
8	Gate Cylinder Assembly
9	Sheet Sensor Assembly
10	Grooved Gum Carriage Assembly
11	I-Quipped Box



**Pro Series - Feeder/Dispenser
Model SI-1750**

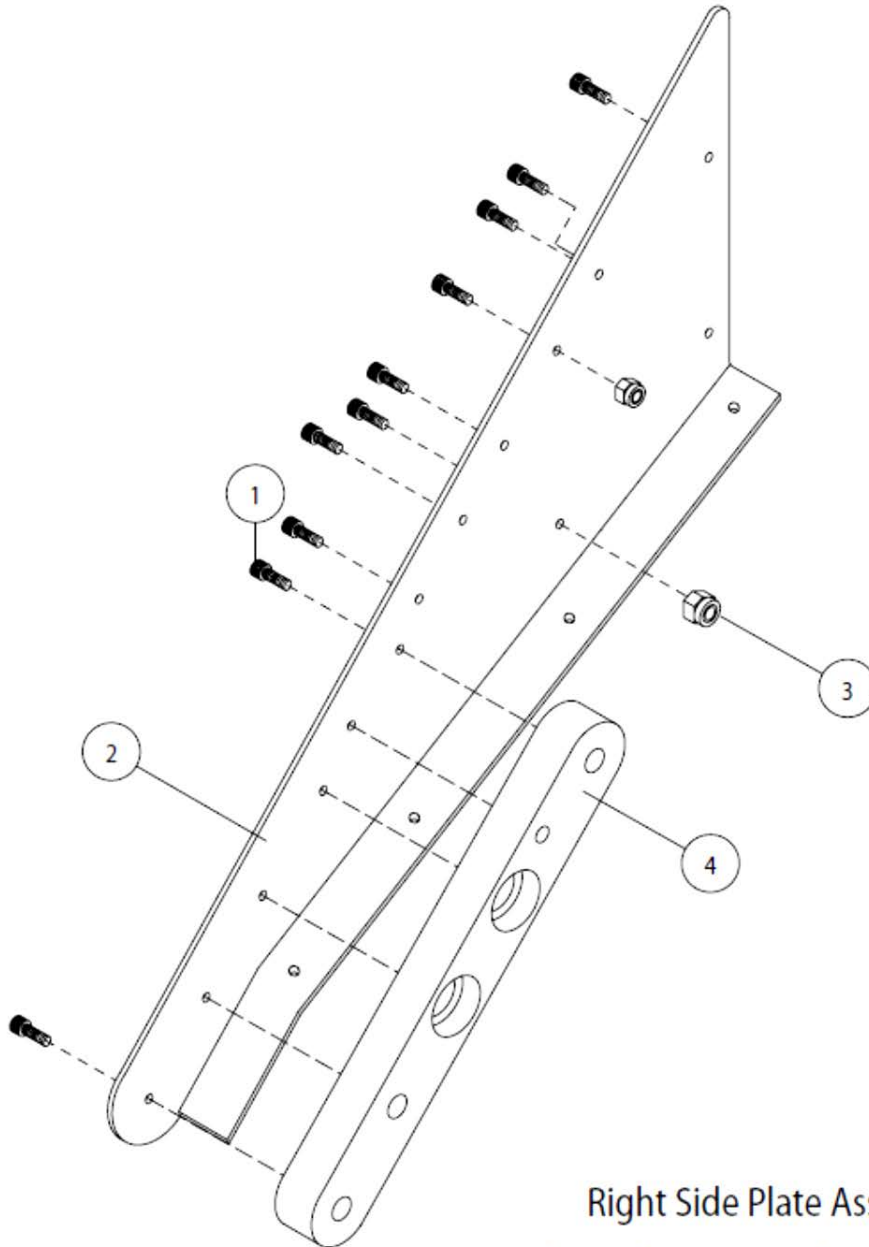


Gate Holder Plate Assembly

Item#	Qty.	Part#	Description
1	1	235-00-001	Gate Holder Plate
2	2	418-55-017	Insert Guide Stabilizing Bracket
3	2	418-55-010	Gate Support Shaft
4	1	418-55-014	Left Hand Side Guide Bracket
5	1	418-55-013	Right Hand Side Guide Bracket
6	4	418-55-016	Gate Support Bar
7	14	2315	SHCS 10-32 x 1/2"
8	6	2310	SHCS 10-32 x 3/8"
9	2	335-11-092	Medium Knob w/Extension
10	2	418-55-015	Oversized Washer
11	1	418-55-012	Back Up Plate



**Pro Series - Feeder/Dispenser
 Model SI-1750**

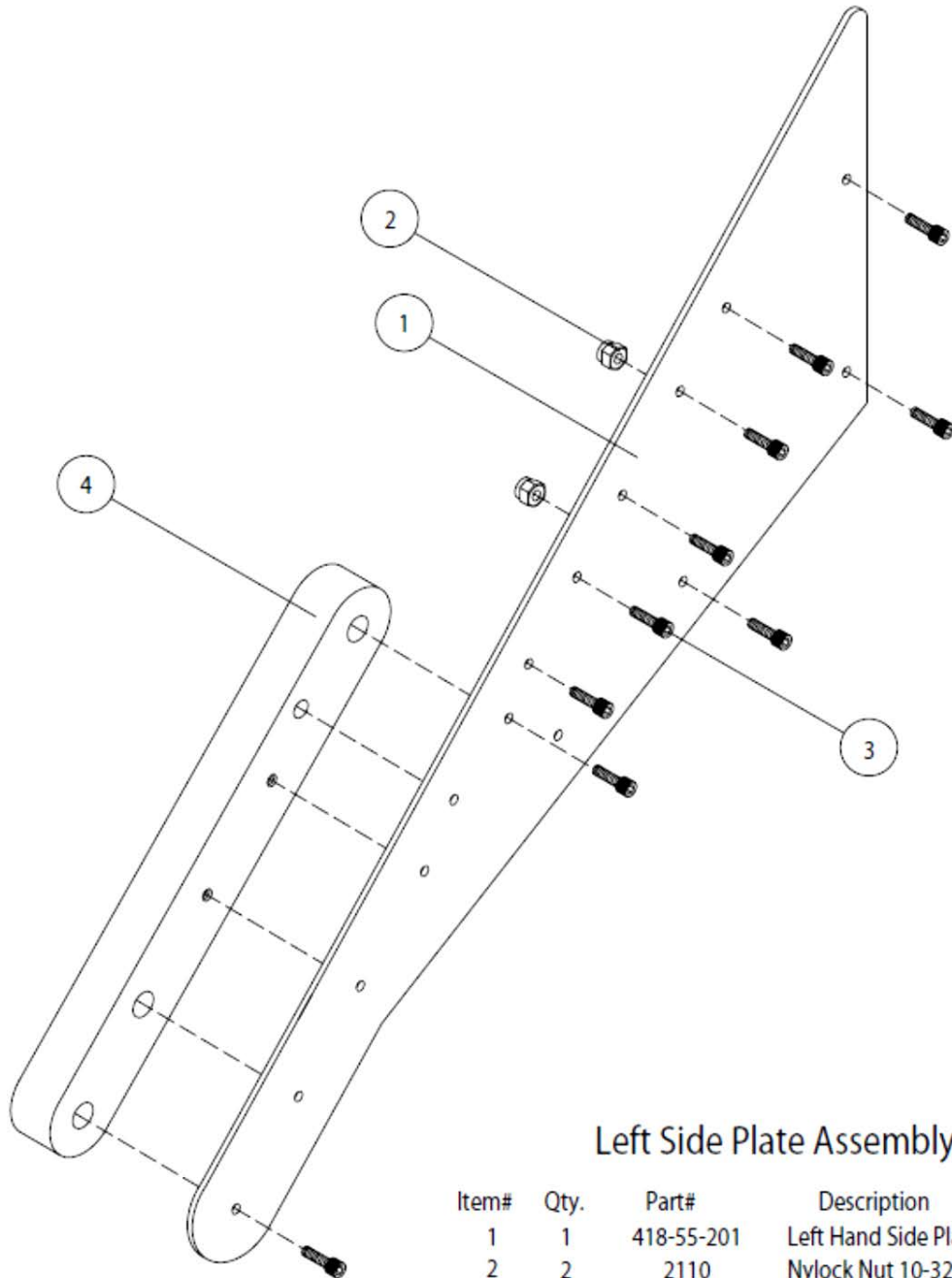


Right Side Plate Assembly

Item#	Qty.	Part#	Description
1	10	2310	SHCS 10-32 x 3/8"
2	1	418-55-200	Right Hand Side Plate
3	2	2110	Nylock Nut 10-32
4	1	235-60-202	Carriage Holder



Pro Series - Feeder/Dispenser
Model SI-1750



Left Side Plate Assembly

Item#	Qty.	Part#	Description
1	1	418-55-201	Left Hand Side Plate
2	2	2110	Nylock Nut 10-32
3	10	2310	SHCS 10-32 x 3/8"
4	1	235-60-203	Carriage Holder



**Pro Series - Feeder/Dispenser
Model SI-1750**

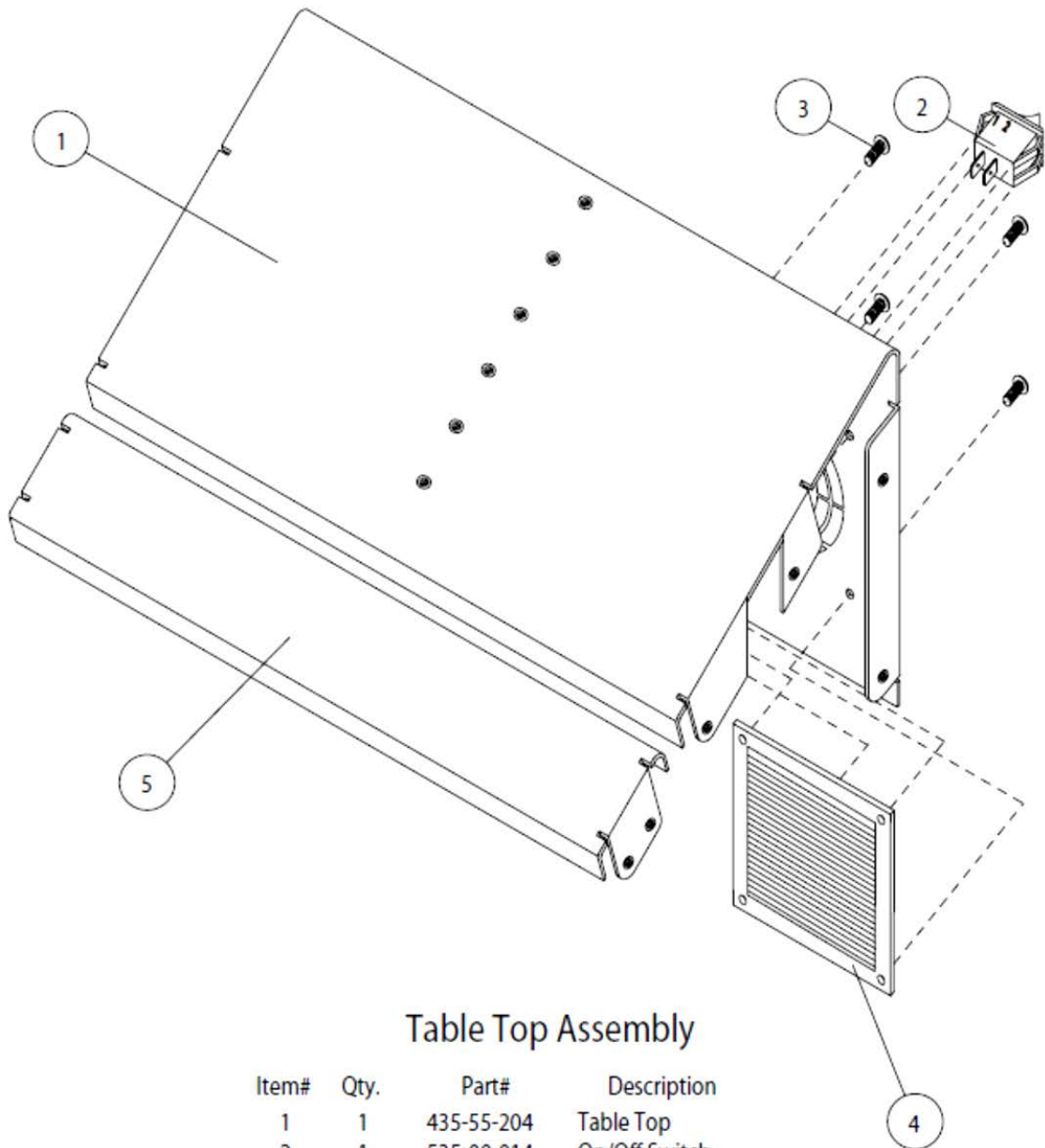
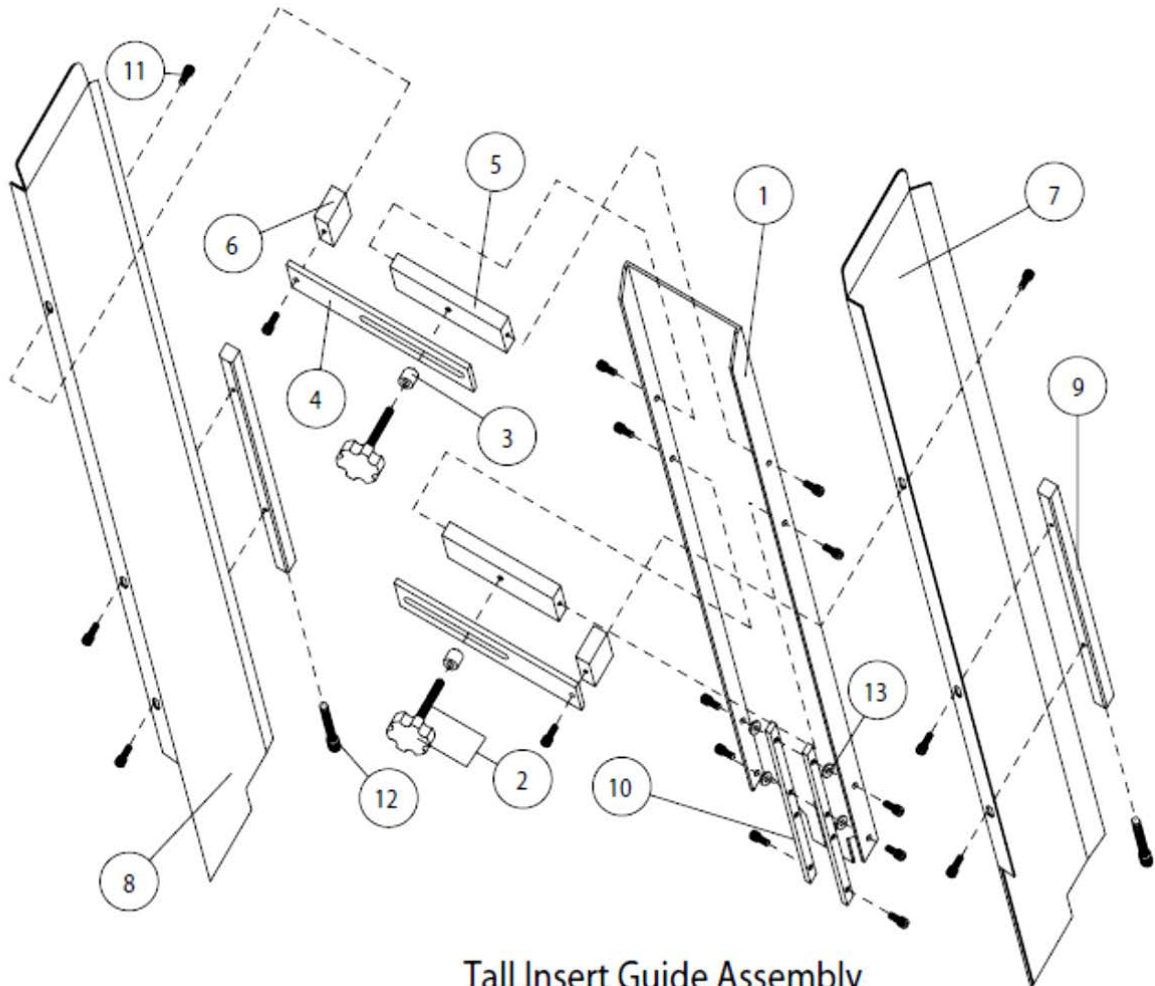


Table Top Assembly

Item#	Qty.	Part#	Description
1	1	435-55-204	Table Top
2	1	535-00-014	On/Off Switch
3	4	2305	BHCS 10-32 x 3/8"
4	1	535-00-105	Filter Screen
5	1	435-55-203	Timing Belt Access Cover
NS	1	235-00-064	USA Label
NS	1	235-00-066	Nameplate
NS	4	1101	Blind Rivet
NS	1	535-00-023	Legend "Power"
NS	Items Not Shown On Drawing		



**Pro Series - Feeder/Dispenser
Model SI-1750**

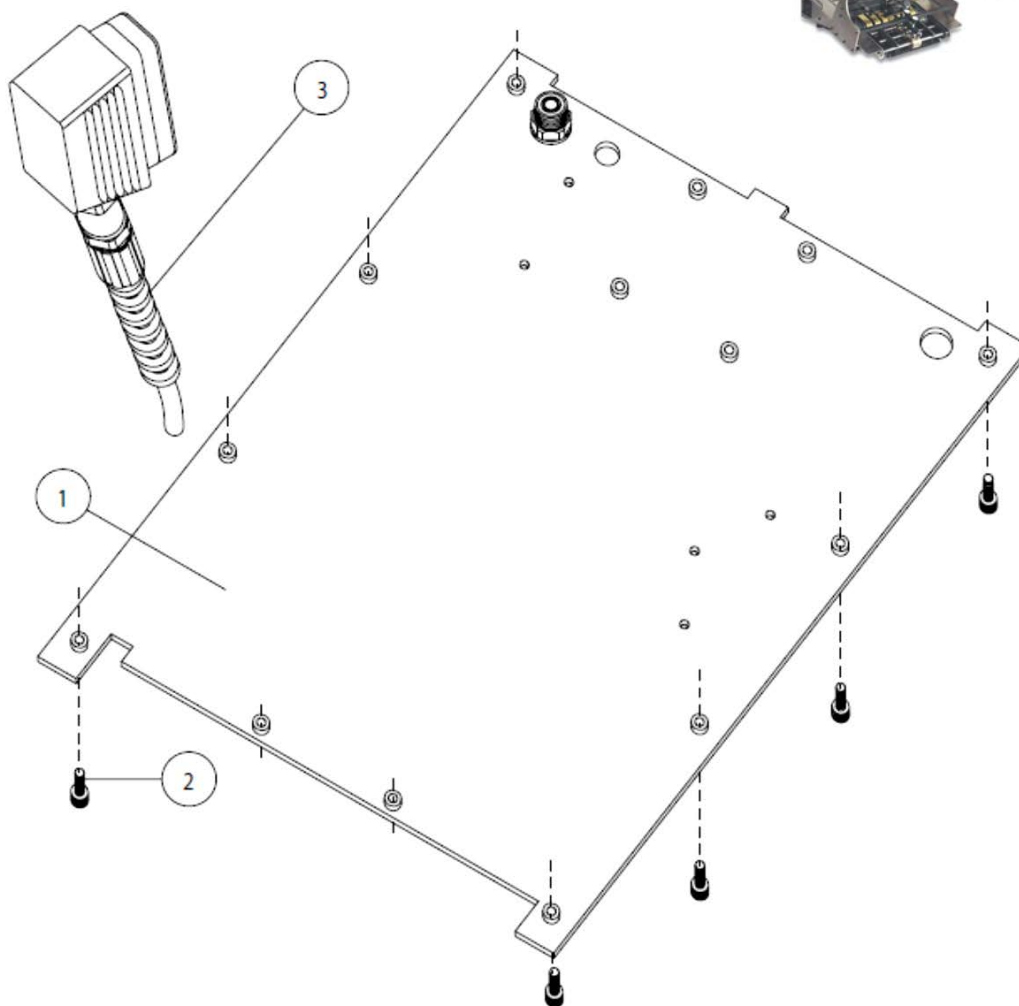


Tall Insert Guide Assembly

Item#	Qty.	Part#	Description
1	1	235-00-006	Tall Insert Guide
2	2	235-00-093	Large Thumb Screw
	2	2390	SHCS 1/4-20 x 1"
3	2	335-00-018	Sensor Extension Spacer
4	2	435-00-150	Adjusting Stabilizer Bracket
5	2	435-00-151	Center Stabilizer Mounting Bracket
6	2	435-00-152	Stabilizer Side Guide Spacer
7	1	435-60-208	Left Side Guide Extension
8	1	435-60-209	Right Side Guide Extension
9	2	435-00-157	Right/Left Side Guide Mounting Bracket
10	2	235-00-024	Tall Mounting Strap
11	18	2310	SHCS 10-32 x 3/8"
12	2	2396	SHCS 1/4-20 x 1-1/2"
13	4	2607	Flat Washer #10



**Pro Series - Feeder/Dispenser
 Model SI-1750**

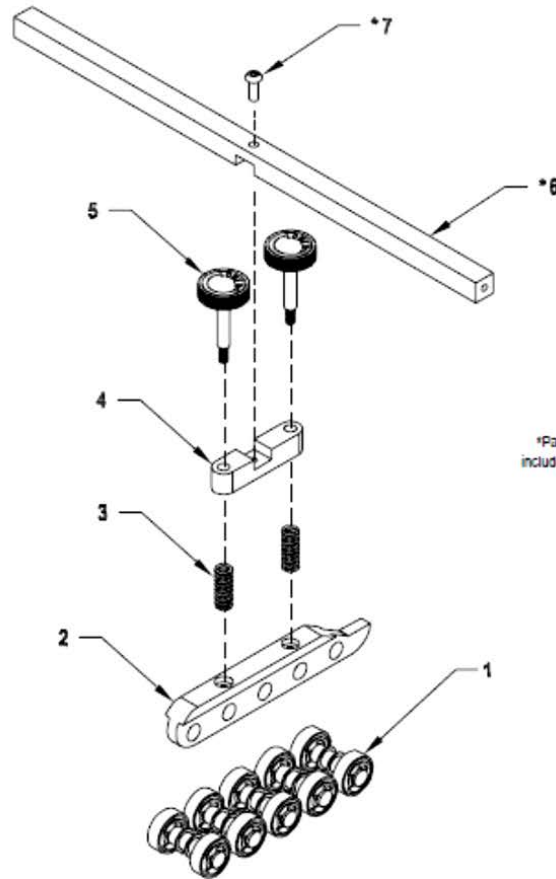


Base Plate Assembly

Item#	Qty.	Part#	Description
1	1	435-50-007	Base Plate
2	8	2310	SHCS 10-32 x 3/8"
3	1	535-11-005	2 Meter Power Cord



**Pro Series - Feeder/Dispenser
Model SI-1750**



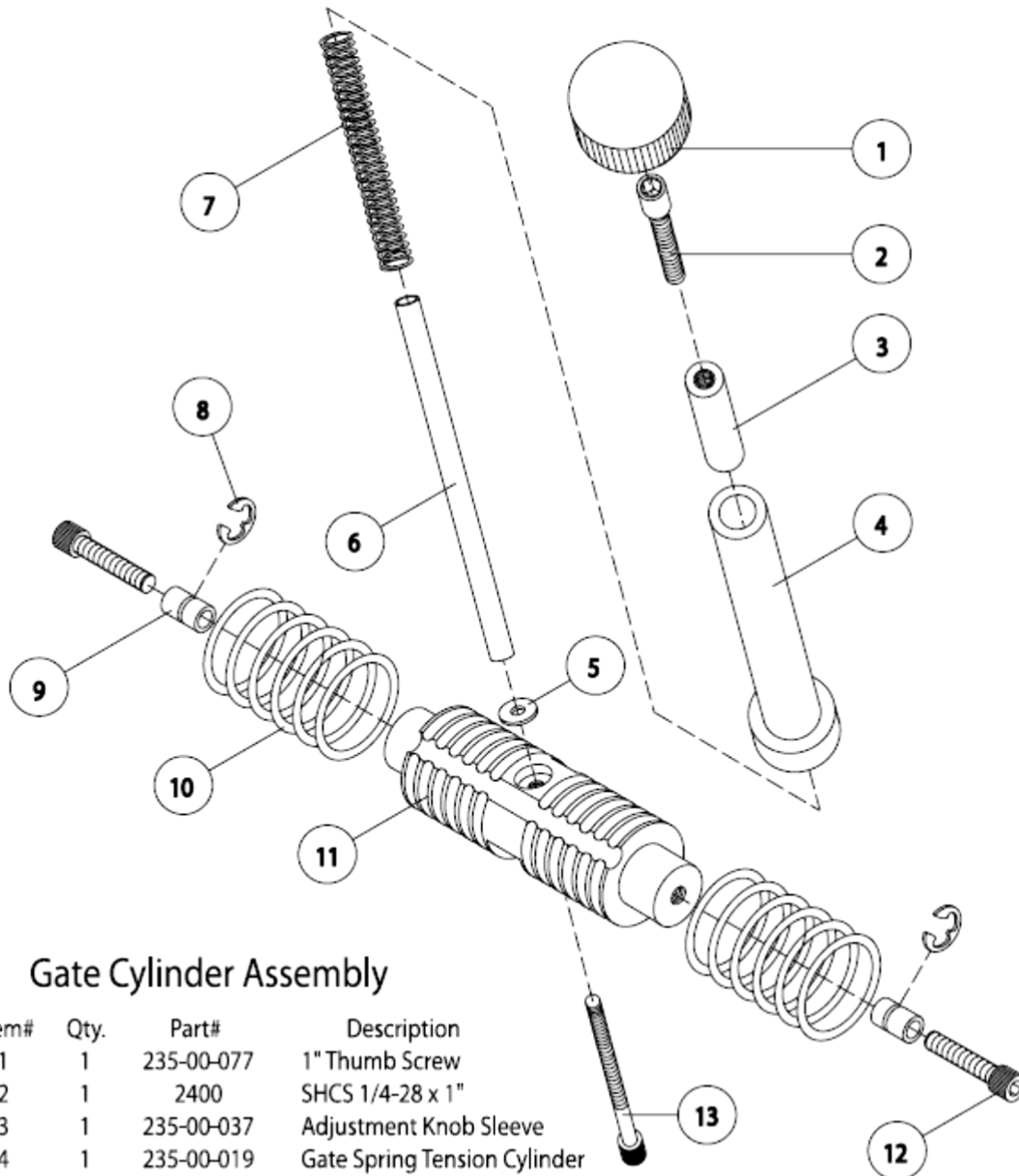
*Part exists in diagram for reference only and is not included with this assembly. Must be ordered separately.

5 AXLE HOLD DOWN ASSEMBLY #43511310

<u>DIAGRAM NUMBER</u>	<u>QTY</u>	<u>DESCRIPTION</u>	<u>PART NUMBER</u>
1	5	Bearing Holder Shaft	43560008
	10	Bearing Ball R6	23500095
	10	Ring Grip 3/8 Waldes	00001110
	20	Clip E 3/8 Waldes	00001150
2	1	Holder Bearing 5 Axle	43560310
3	2	Spring Compression	23560083
4	1	Bar Hold Down Adjustment	23560086
5	2	Screw Cross Bar Hold Down Adjustment	23560087
	2	Hold Down Knob 1	23560077
	2	Grommet Rubber	00001130
	2	Label Gate Adjustment Knob	23500084
6*	1	Cross Support Bar	41855223
7*	1	BHCS 10-32 x 1/2" LG	00002334



**Pro Series - Feeder/Dispenser
Model SI-1750**

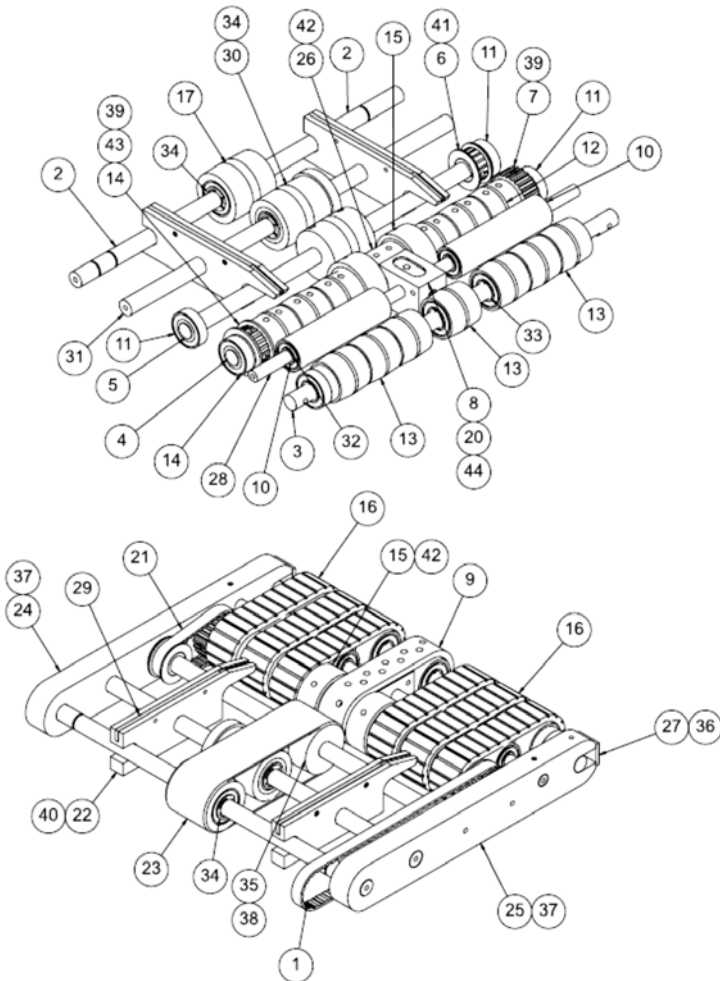


Gate Cylinder Assembly

Item#	Qty.	Part#	Description
1	1	235-00-077	1" Thumb Screw
2	1	2400	SHCS 1/4-28 x 1"
3	1	235-00-037	Adjustment Knob Sleeve
4	1	235-00-019	Gate Spring Tension Cylinder
5	1	2607	Flat Washer #10
6	1	235-60-084	EJ Gate Lift Shaft
7	1	235-00-083	Gate Compression Spring
8	2	1150	"E" Clip 3/8"
9	2	235-00-082	Spacer 1/2"
10	12	235-00-104	Gate Cylinder O-Ring
11	1	235-60-300	EJ Gate Cylinder
12	2	2390	SHCS 1/4-20 x 1"
13	1	2336	SHCS 10-32 x 1-1/2"



**Pro Series - Feeder/Dispenser
Model SI-1750**



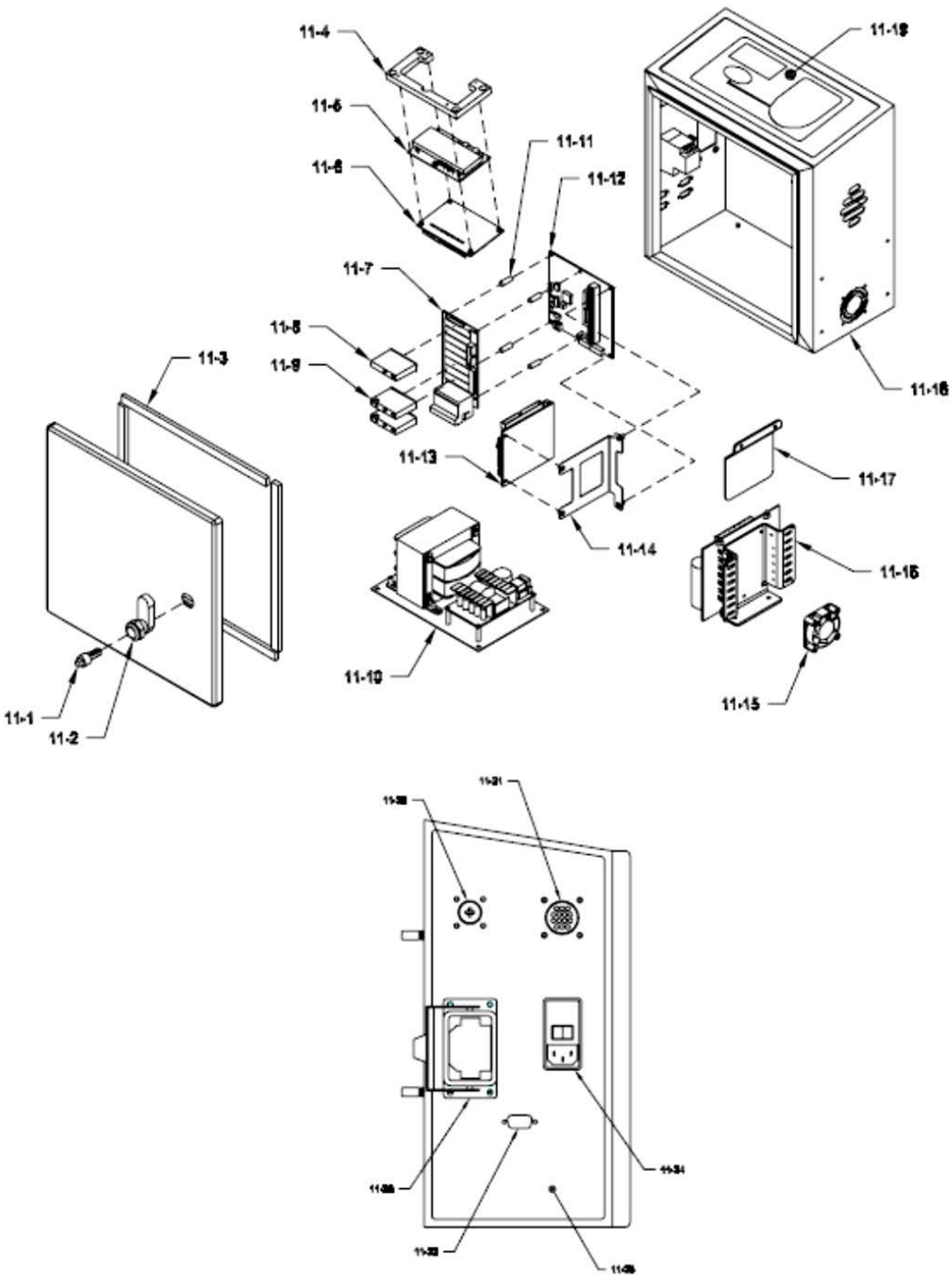
GROOVED GUM RUBBER BELT CARRIAGE ASSEMBLY #43533485

ITEM	QTY	NAME
1	1	43500096 DRIVE BELT 170 X L037
2	1	43555047 IDLER SHAFT
3	1	43555147 IDLER SHAFT
4	1	43555205 3-4 IN DRIVE SHAFT
5	1	43555211 DRIVE SHAFT
6	1	43560097 PULLEY 16T
7	1	43560098 PULLEY 24T
8	1	44485001 MANIFOLD
9	1	44485003 VACUUM BELT
10	2	23511270 BELT SUPPORT ROLLER
11	8	23500094 BEARING R8-2RS
12	6	23560208 CROWN DRV ROLLER
13	7	33511028 CROWN DRIVEN ROLLER WITH BEARINGS
14	1	23500097 PULLEY 20T
15	2	23500126 FEED ROLLER
16	6	23500162 BELT TRACTOR
17	1	23511105 CROWN PUL CUP WBEAR
18	1	51476005 BULK HEAD UNION
19	1	51476006 UNEQUAL UNION ELBOW
20	1	51476007 MALE ELBOW
21	1	23560078 TIMING BELT
22	2	23560082 MAT SUPPORT SIDE RAIL
23	1	23560088 CLEAR BELT
24	1	23560202 RS CARR HOLD
25	1	23560203 LS CARR HOLD
26	1	23560206 FLAT DRIVE ROLLER
27	2	44485004 VACUUM BELT TENSION PLATE
28	1	44841056 VAC CARRIAGE SHAFT
29	2	44970006 SLIDE
30	1	51277068 ROLLER DOUBLE DETECT CARRIAGE
31	1	51438009 SHAFT IDLE DISCHARGE 1450
32	4	1110 G RING 3_8
33	11	1115 G RING 1_2
34	4	1155 E CLIP 1_2
35	1	23560106 CROWN PULLEY W_SS
36	2	2320 S 10-32 5_8
37	2	3316 SS 6-32 X 1-4
38	2	2327 SS 1_4-20 1_2
39	3	2217 SS 10-32 5_16
40	4	2203 S 8-32 1_4
41	2	3352 SS 10-32 1_8
42	16	2216 SS 10-32 1_4
43	1	3351 1-8 X 3-8 WOODRUFF KEY
44	1	2228 F 6-32 3_4



**Pro Series - Feeder/Dispenser
 Model SI-1750**

**EQUIPPED BOX WITH I/O
 ASSEMBLY #68311050**





**Pro Series - Feeder/Dispenser
Model SI-1750**

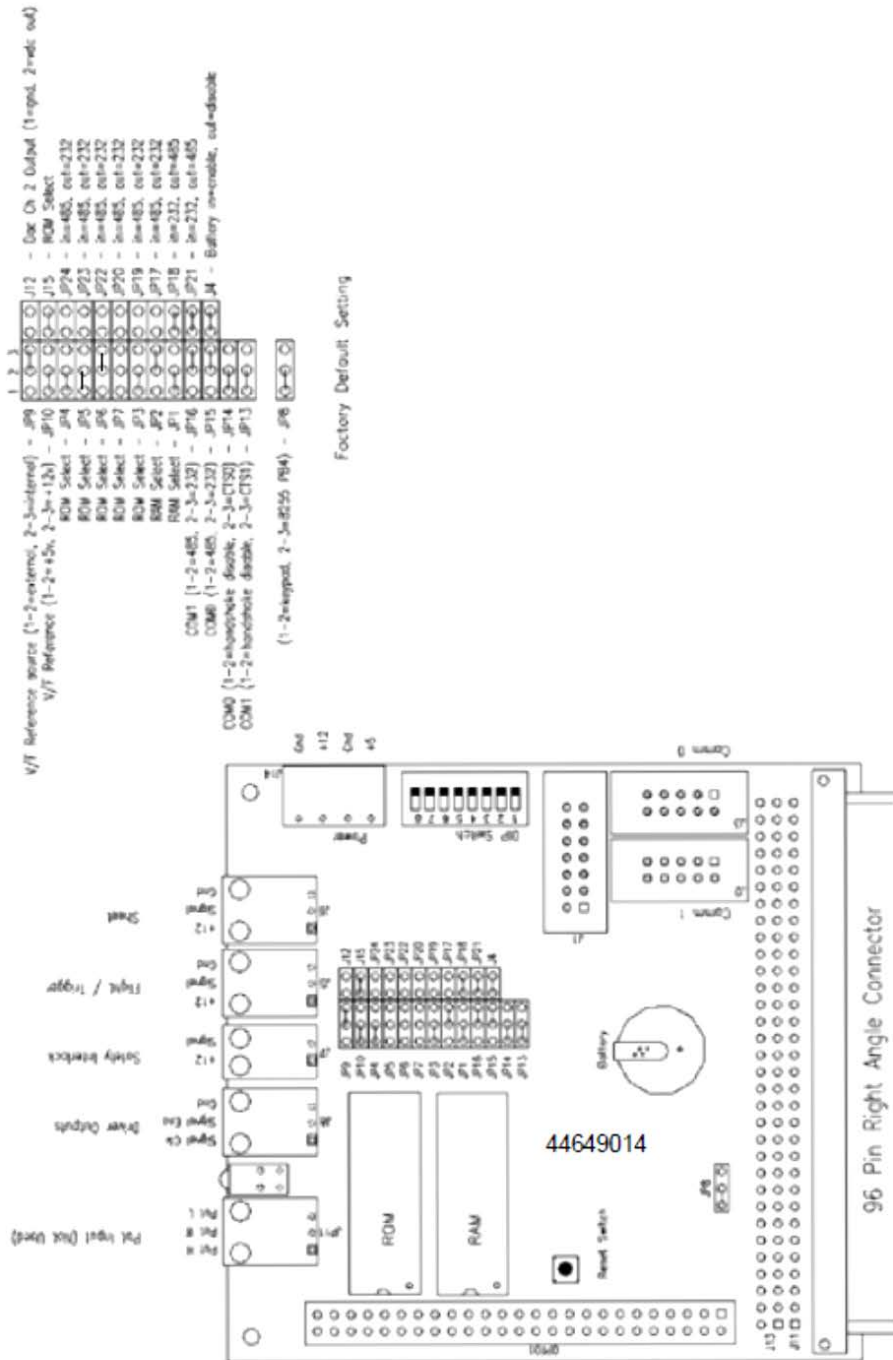
**EQIPPED BOX WITH I/O
ASSEMBLY #68311050**

DIAGRAM NUMBER	QTY	DESCRIPTION	PART NUMBER
11-1	1	Insert 7mm Square	44683022
11-2	1	Cam Latch Lock	44683021
11-3	44"	Gasket	44683028
11-4	1	Bracket Display Mounting	44683002
11-5	1	Display VFD w/Connector Header Pin	53511605
11-6	1	Board Keypad Decoder	53500605
11-7*	1	Board Relay I/O	44649128
11-8*	1	Relay Module DC Input 2.5-16VDC Hi Speed	44649115
11-9*	3	Relay Module DC Output 5-60 VDC 3A	44649112
11-10	1	Power Pack Transformer/DC Supply Assy IQ	68311002
11-11*	4	Spacer Standoff .75 X .25 Round Nylon	44675045
11-12*	1	Board Motherboard w/o Options	44649055
11-13	1	Board CPU w/96-Pin Connector	44649014
11-14*	1	Bracket Stabilizing PCB	44649125
11-15	1	Fan Assembly ST Box	68311008
11-16	1	Board Stepper Drive BLD 72-2	53500467
11-17	1	Plate Deflector	44683003
11-18	1	Box IQipped Control (Door Included)	44683001
11-19	1	Keypad ST Series IQipped	44683005
11-20	1	Harness Flight Trigger	64911005
11-21*	1	Harness I/O Internal 14 Pin	64911014
11-22	1	Harness Receptacle Interconnect IQ Box	68311009
11-23	1 2	Cable Communication DB9 Female IQ Box Jackscrew 4-40 Male-Female	44683027
11-24	1	Module AC Power Entry (w/o Fuses)	44649034
11-25*	1	Graphic Overlay With I/O	44683029
NS	16	Cable Tie Wrap	435SO263
NS	2	U-Bolt Square Bend 3-3/8	44360051
NS	1	Cable Ribbon Display	44649022
NS	1	Plate Mounting IQipped Box	44683006
NS	2	Retainer Mounting IQipped Box	44683007
NS	1	Key 7mm Square	44683023
NS	2	Fuse 3A 250V Slo-Blo GMD 5 X 20mm	53500006
NS	2	Terminal Ring	53500046
NS	11	Wire MTW 18 Ga Stranded Green/Yellow St	53500057
NS	1	Eprom	63511001
NS	1	Cable Ground Wire Assembly	63011007
NS	1	Harness Power Supply DC Outputs	64911006
NS	1	Harness Drive Control	64911007
NS	1*	Cable Ribbon Relay I/O	44649007
NS	1*	Cable External Systems 14 Pin	64911012

*Denotes feature associated with I/O assembly #68311014.



CPU Detail



Ask GIBAG for more details, if request





Haben Sie Fragen zu weiteren
STREAMFEEDER
Ersatz- oder Verschleißteile ?

Rufen Sie uns bitte an
Tel.: 0 45 42 – 8 56 68 - 0





GIBAG Deutschland - Kuvertiermaschinen Bundesstr.9b 23881 Alt-Mölln

GIBAG Deutschland
Kuvertiermaschinen - Papiernachbearbeitungsanlagen
Bundesstr.9b
23881 Alt-Mölln

Telefaxbestellung
04542-85668-20

Auftragnehmer

Ersatzteilebestellung

Ihre Telefon-Nr.:	
Ihre Telefax-Nr.:	
Name des Bestellers:	
Position:	
e-mail	
Ihre Auftragsvergabe-Nr.:	
Ihre USt.-ID.Nr.:	

Auftrags-Nr.:	
Kunden-Nr.:	
Datum:	
Ihr Ansprechpartner:	Herr F.W. Eller
Auftraggeber/Rechnungsanschrift	

Die Lieferung erfolgt aufgrund unserer Ihnen bekannten Allgemeinen Geschäftsbedingungen

Pos	Artikelnummer Bestellnummer	Menge Anzahl	Bezeichnung		Einzelpreis netto	Gesamtpreis netto
1						
2						
3						
4						
5						
6						
7						
8						
9						
10						
				Luftfracht:		
				Zollgebühr:		
Ursprungsland:				Verpackung:		
Versandart:		Lieferanschrift:		Versandkosten:		
Post				Mindermengen-Aufschlag:		
Express				Nettowert		
Spedition				19 % Mehrwertsteuer		
Abholung				Gesamtbetrag		
Kurierdienst						
Gewünschter Liefertermin:				Bei einem Auftragswert unter € 50,00 erheben wir einen Mindermengen-Aufschlag in Höhe von € 10,00		

Zahlungsvereinbarung	Vorkasse	8 Tage nach Lieferung	30 Tage nach Lieferung
	Neukunde	ohne Abzug	4% Aufschlag
	<input checked="" type="checkbox"/>	<input type="checkbox"/>	<input type="checkbox"/>

**Stempel und rechtsverbindliche Unterschrift
des Auftraggebers**

Mindestlohn ab dem 01.01.2015
ab dem 01.01.2015 ist der gesetzliche Mindestlohn für alle Arbeitnehmer/innen in Kraft getreten.
Teil dieses Mindestlohngesetzes ist es auch, dass bei der Beauftragung von Dienst- und Werksleistungen, auch bei Subunternehmern und Zulieferern, die Zahlung des Mindestlohnes eingehalten wird. Hiermit bestätigen wir Ihnen, dass wir unseren Mitarbeitern den entsprechenden Mindestlohn zahlen und alle Vorgaben zum Mindestlohn erfüllen.



Presseinformation vom 14. September 2015

Quellennachweis: [Pack aktuell Team, Schweiz](#)

Der US-amerikanische Verpackungsmaschinen-Hersteller Thiele Technologies Inc. verstärkt sich bei der Zuführ-Technik. Thiele, der zum US-Technologiekonzern Barry-Wehmiller Inc. gehört, übernimmt den Bereich "Direct Mail Solution and Sure-Feed Engineering" von Pitney Bowes, der unter anderem Friktionsanleger herstellt. Der Pitney-Bowes-Bereich wurde vor zehn Jahren gegründet und entwickelt, produziert und vertreibt Zuführsysteme und Friktionsanleger für unterschiedlichste Industrien und Produkte weltweit. Der Bereich gehört seit 2007 zum Geschäftsfeld Direct Mail Solutions von Pitney Bowes, einem US-Konzern, der 4 Milliarden USDollar umsetzt und integrierte Dienstleistungen für E-Mail, Messaging und Dokumentenmanagement anbietet.

Thiele Technologies ist ein Geschäftsbereich des Konzerns Barry-Wehmiller Companies Inc. und entstand 1998, als Barry-Wehmiller die Bemis Packaging Machinery Company kaufte und darin anschliessend die Firmen Thiele Engineering Company, Master Palettierer, Frontier Equipment, Edmeyer, Sidell, Streamfeeder, SWF Companies Inc., Nigrelli Systems, Hudson-Sharp Machine Company und Symach integrierte. Thiele hat sich dadurch zu einem globalen Anbieter von Verpackungstechnik entwickelt und ist auch in Europa mit zwei Produktionsstandorten in Benelux vertreten. Schwerpunkte sind Systeme und Lösungen für Sackbefüllung und Palettierung, Kartonverpackung und Palettierung, Kartонieren, Bündeln sowie Befüllen und Platzierung vorgefertigter Beutel.

Das Stammhaus, der Technologie-Konzern Barry-Wehmiller, setzt 2 Mrd. USDollar um und beschäftigt über 8000 Personen.

Link zur den an der Transaktion beteiligten Unternehmen:

www.pitneybowes.com

www.barrywehmiller.com

Link: www.thieletech.com

Weitere Informationen: <http://www.packaktuell.ch/news/unternehmen/2015/9/14/thiele-technologies-ausbau-bei-friktionsanlegern-uebernahme-des-bereiches-sure-feed-engineering-von-pitney-bowes.aspx#sthash.y57CyrAF.dpuf>

Replace-A-Station *Sure-Feeder* Modell 900/1200EI



Specifications

Maximum Product Size **1200EI**: 11.5 W x 12 L in (292 x 305 mm)

900EI: 9.125 W x 12 L in (232 x 305 mm)

Minimum Product Size 3.0 W x 3.0 L in (76 x 76 mm)

Min/Max Product Thickness .002 - .375 in (.05 - 10 mm)

Feeder Hopper Capacity 20" vertical (508 mm)

Speed Variable 20 to 350 ft./min. (50 to 889 cm/min.)

Utilities 120/240vac, 50/60Hz, 1A

Other sizes and thickness capabilities available. Contact us for your application.